

IE1 效率 50Hz 产品技术数据(Technical Data)

| 型号<br>Type   | 额定功率<br>Rated Output<br>kW | 额定转速<br>Rated Speed<br>min <sup>-1</sup> | 效率<br>Efficiency<br>$\eta$<br>%<br>(IE1) | 功率因数<br>Power factor<br>COS $\phi$ | 额定电流<br>Rated current<br>A |      |      | 额定转矩<br>Rated Torque<br>Nm | 堵转转矩倍数<br>Ts/Tn | 最大转矩倍数<br>Tmax/Tn | 堵转电流倍数<br>Is/In | 重量<br>Weight<br>kg |
|--------------|----------------------------|--|--|------------------------------------|----------------------------|------|------|----------------------------|-----------------|-------------------|-----------------|--------------------|
|              |                            |  |  |                                    | 380                        | 400  | 415  |                            |                 |                   |                 |                    |
|              |                            |  |  |                                    | SGY1-631-2                 | 0.18 | 2720 |                            |                 |                   |                 |                    |
| SGY1-632-2   | 0.25                       | 2720                                     | 58.2                                     | 0.81                               | 0.81                       | 0.77 | 0.74 | 0.88                       | 2.3             | 2.2               | 5.5             | 4.4                |
| SGY1-711-2   | 0.37                       | 2740                                     | 63.9                                     | 0.81                               | 1.09                       | 1.03 | 0.99 | 1.29                       | 2.3             | 2.2               | 6.1             | 5.4                |
| SGY1-712-2   | 0.55                       | 2740                                     | 69.0                                     | 0.82                               | 1.48                       | 1.40 | 1.35 | 1.92                       | 2.3             | 2.3               | 6.1             | 6.4                |
| SGY1-801-2   | 0.75                       | 2840                                     | 72.1                                     | 0.83                               | 1.90                       | 1.81 | 1.74 | 2.52                       | 2.2             | 2.3               | 6.1             | 8.8                |
| SGY1-802-2   | 1.1                        | 2840                                     | 75.0                                     | 0.84                               | 2.65                       | 2.52 | 2.43 | 3.70                       | 2.2             | 2.3               | 6.9             | 9.3                |
| SGY1-90S-2   | 1.5                        | 2840                                     | 77.2                                     | 0.84                               | 3.51                       | 3.34 | 3.22 | 5.04                       | 2.2             | 2.3               | 7.0             | 13                 |
| SGY1-90L-2   | 2.2                        | 2840                                     | 79.7                                     | 0.85                               | 4.93                       | 4.69 | 4.52 | 7.40                       | 2.2             | 2.3               | 7.0             | 15                 |
| SGY1-100L-2  | 3                          | 2860                                     | 81.5                                     | 0.87                               | 6.43                       | 6.11 | 5.89 | 10.0                       | 2.2             | 2.3               | 7.5             | 20                 |
| SGY1-112M-2  | 4                          | 2880                                     | 83.1                                     | 0.88                               | 8.31                       | 7.90 | 7.61 | 13.3                       | 2.2             | 2.3               | 7.5             | 24.5               |
| SGY1-132S1-2 | 5.5                        | 2900                                     | 84.7                                     | 0.86                               | 11.5                       | 10.9 | 10.5 | 18.1                       | 2.2             | 2.3               | 7.5             | 36                 |
| SGY1-132S2-2 | 7.5                        | 2900                                     | 86.0                                     | 0.88                               | 15.1                       | 14.3 | 13.8 | 24.7                       | 2.2             | 2.3               | 7.5             | 40                 |
| SGY1-160M1-2 | 11                         | 2930                                     | 87.6                                     | 0.89                               | 21.4                       | 20.4 | 19.6 | 35.9                       | 2.2             | 2.3               | 7.5             | 65                 |
| SGY1-160M2-2 | 15                         | 2930                                     | 88.7                                     | 0.89                               | 28.9                       | 27.4 | 26.4 | 48.9                       | 2.2             | 2.3               | 7.5             | 73                 |
| SGY1-160L-2  | 18.5                       | 2930                                     | 89.3                                     | 0.90                               | 35.0                       | 33.2 | 32.0 | 60.3                       | 2.2             | 2.3               | 7.5             | 82                 |

IE1 效率 50Hz 产品技术数据(Technical Data)

| 型号<br>Type   | 额定功率<br>Rated Output<br>kW | 额定转速<br>Rated Speed<br>min <sup>-1</sup> | 效率<br>Efficiency<br>$\eta$<br>%<br>(IE1) | 功率因数<br>Power factor<br>COS $\phi$ | 额定电流<br>Rated current<br>A |      |      | 额定转矩<br>Rated Torque<br>Nm | 堵转转矩倍数<br>Ts/Tn | 最大转矩倍数<br>Tmax/Tn | 堵转电流倍数<br>Is/In | 重量<br>Weight<br>kg |
|--------------|----------------------------|--|--|------------------------------------|----------------------------|------|------|----------------------------|-----------------|-------------------|-----------------|--------------------|
|              |                            |  |  |                                    | 380                        | 400  | 415  |                            |                 |                   |                 |                    |
|              |                            |  |  |                                    | SGY1-631-4                 | 0.12 | 1310 |                            |                 |                   |                 |                    |
| SGY1-632-4   | 0.18                       | 1310                                     | 57.0                                     | 0.73                               | 0.66                       | 0.62 | 0.60 | 1.31                       | 2.1             | 2.2               | 4.4             | 4.5                |
| SGY1-711-4   | 0.25                       | 1330                                     | 61.5                                     | 0.74                               | 0.83                       | 0.79 | 0.76 | 1.80                       | 2.1             | 2.2               | 5.2             | 5.5                |
| SGY1-712-4   | 0.37                       | 1330                                     | 66.0                                     | 0.75                               | 1.14                       | 1.08 | 1.04 | 2.66                       | 2.1             | 2.2               | 5.2             | 6                  |
| SGY1-801-4   | 0.55                       | 1390                                     | 70.0                                     | 0.75                               | 1.59                       | 1.51 | 1.46 | 3.78                       | 2.4             | 2.3               | 5.2             | 8                  |
| SGY1-802-4   | 0.75                       | 1390                                     | 72.1                                     | 0.76                               | 2.08                       | 1.98 | 1.90 | 5.15                       | 2.3             | 2.3               | 6.0             | 9                  |
| SGY1-90S-4   | 1.1                        | 1390                                     | 75.0                                     | 0.77                               | 2.89                       | 2.75 | 2.65 | 7.56                       | 2.3             | 2.3               | 6.0             | 12                 |
| SGY1-90L-4   | 1.5                        | 1390                                     | 77.2                                     | 0.77                               | 3.83                       | 3.64 | 3.51 | 10.3                       | 2.3             | 2.3               | 6.0             | 15                 |
| SGY1-100L1-4 | 2.2                        | 1390                                     | 79.7                                     | 0.81                               | 5.18                       | 4.92 | 4.74 | 15.1                       | 2.3             | 2.3               | 7.0             | 21                 |
| SGY1-100L2-4 | 3                          | 1410                                     | 81.5                                     | 0.82                               | 6.82                       | 6.48 | 6.25 | 20.3                       | 2.3             | 2.3               | 7.0             | 22                 |
| SGY1-112M-4  | 4                          | 1410                                     | 83.1                                     | 0.82                               | 8.92                       | 8.47 | 8.17 | 27.1                       | 2.3             | 2.3               | 7.0             | 24                 |

|             |     |      |      |      |      |      |      |      |     |     |     |    |
|-------------|-----|------|------|------|------|------|------|------|-----|-----|-----|----|
| SGY1-132S-4 | 5.5 | 1435 | 84.7 | 0.83 | 11.9 | 11.3 | 10.9 | 36.6 | 2.3 | 2.3 | 7.0 | 35 |
| SGY1-132M-4 | 7.5 | 1440 | 86.0 | 0.84 | 15.8 | 15.0 | 14.4 | 49.7 | 2.3 | 2.3 | 7.0 | 50 |
| SGY1-160M-4 | 11  | 1440 | 87.6 | 0.84 | 22.7 | 21.6 | 20.8 | 73.0 | 2.2 | 2.3 | 7.0 | 70 |
| SGY1-160L-4 | 15  | 1460 | 88.7 | 0.85 | 30.2 | 28.7 | 27.7 | 98.1 | 2.2 | 2.3 | 7.5 | 83 |

| IE1 效率 50Hz 产品技术数据 (Technical Data) |                            |  |  |                                    |                            |      |      |                            |                     |                       |                     |                    |
|-------------------------------------|----------------------------|--|--|------------------------------------|----------------------------|------|------|----------------------------|---------------------|-----------------------|---------------------|--------------------|
| 型号<br>Type                          | 额定功率<br>Rated Output<br>kW | 额定转速<br>Rated Speed<br>min <sup>-1</sup> | 效率<br>Efficiency<br>$\eta$<br>%<br>(IE1) | 功率因数<br>Power factor<br>COS $\phi$ | 额定电流<br>Rated current<br>A |      |      | 额定转矩<br>Rated Torque<br>Nm | 堵转转矩<br>倍数<br>Ts/Tn | 最大转矩<br>倍数<br>Tmax/Tn | 堵转电<br>流倍数<br>Is/In | 重量<br>Weight<br>kg |
|                                     |                            |  |  |                                    | 380                        | 400  | 415  |                            |                     |                       |                     |                    |
| SGY1-631-6                          | 0.09                       | 840                                      | 44.0                                     | 0.60                               | 0.52                       | 0.49 | 0.47 | 1.02                       | 1.8                 | 1.9                   | 3.5                 | 4.5                |
| SGY1-632-6                          | 0.12                       | 850                                      | 38.3                                     | 0.60                               | 0.79                       | 0.75 | 0.73 | 1.35                       | 1.8                 | 1.9                   | 3.5                 | 4.7                |
| SGY1-711-6                          | 0.18                       | 850                                      | 45.5                                     | 0.66                               | 0.91                       | 0.87 | 0.83 | 2.02                       | 1.9                 | 2.0                   | 4.0                 | 6.5                |
| SGY1-712-6                          | 0.25                       | 850                                      | 52.1                                     | 0.68                               | 1.07                       | 1.02 | 0.98 | 2.81                       | 1.9                 | 2.0                   | 4.0                 | 7                  |
| SGY1-801-6                          | 0.37                       | 885                                      | 59.7                                     | 0.70                               | 1.35                       | 1.28 | 1.23 | 3.99                       | 1.9                 | 2.0                   | 4.7                 | 8.5                |
| SGY1-802-6                          | 0.55                       | 885                                      | 65.8                                     | 0.72                               | 1.76                       | 1.68 | 1.62 | 5.94                       | 1.9                 | 2.1                   | 4.7                 | 9.5                |
| SGY1-90S-6                          | 0.75                       | 910                                      | 70.0                                     | 0.72                               | 2.26                       | 2.15 | 2.07 | 7.87                       | 2.0                 | 2.1                   | 5.3                 | 12.5               |
| SGY1-90L-6                          | 1.1                        | 910                                      | 72.9                                     | 0.72                               | 3.18                       | 3.02 | 2.92 | 11.5                       | 2.0                 | 2.1                   | 5.5                 | 15.5               |
| SGY1-100L-6                         | 1.5                        | 920                                      | 75.2                                     | 0.75                               | 4.04                       | 3.84 | 3.70 | 15.6                       | 2.0                 | 2.1                   | 5.5                 | 21                 |
| SGY1-112M-6                         | 2.2                        | 935                                      | 77.7                                     | 0.76                               | 5.66                       | 5.38 | 5.18 | 22.5                       | 2.0                 | 2.1                   | 6.5                 | 25                 |
| SGY1-132S-6                         | 3                          | 960                                      | 79.7                                     | 0.76                               | 7.52                       | 7.15 | 6.89 | 29.8                       | 2.1                 | 2.1                   | 6.5                 | 39                 |
| SGY1-132M1-6                        | 4                          | 960                                      | 81.4                                     | 0.76                               | 9.82                       | 9.33 | 9.00 | 39.8                       | 2.1                 | 2.1                   | 6.5                 | 42                 |
| SGY1-132M2-6                        | 5.5                        | 960                                      | 83.1                                     | 0.77                               | 13.1                       | 12.4 | 12.0 | 54.7                       | 2.1                 | 2.1                   | 6.5                 | 45                 |
| SGY1-160M-6                         | 7.5                        | 970                                      | 84.7                                     | 0.78                               | 17.2                       | 16.4 | 15.8 | 73.8                       | 2.0                 | 2.1                   | 6.5                 | 70                 |
| SGY1-160L-6                         | 11                         | 970                                      | 86.4                                     | 0.78                               | 24.8                       | 23.6 | 22.7 | 108                        | 2.0                 | 2.1                   | 6.5                 | 85                 |

| IE1 效率 50Hz 产品技术数据 (Technical Data) |                            |  |  |                                    |                            |      |      |                            |                     |                       |                     |                    |
|-------------------------------------|----------------------------|--|--|------------------------------------|----------------------------|------|------|----------------------------|---------------------|-----------------------|---------------------|--------------------|
| 型号<br>Type                          | 额定功率<br>Rated Output<br>kW | 额定转速<br>Rated Speed<br>min <sup>-1</sup> | 效率<br>Efficiency<br>$\eta$<br>%<br>(IE1) | 功率因数<br>Power factor<br>COS $\phi$ | 额定电流<br>Rated current<br>A |      |      | 额定转矩<br>Rated Torque<br>Nm | 堵转转矩<br>倍数<br>Ts/Tn | 最大转矩<br>倍数<br>Tmax/Tn | 堵转电<br>流倍数<br>Is/In | 重量<br>Weight<br>kg |
|                                     |                            |  |  |                                    | 380                        | 400  | 415  |                            |                     |                       |                     |                    |
| SGY1-711-8                          | 0.09                       | 600                                      | 40.0                                     | 0.57                               | 0.60                       | 0.57 | 0.55 | 1.43                       | 1.8                 | 1.9                   | 2.8                 | 7.5                |
| SGY1-712-8                          | 0.12                       | 600                                      | 31.0                                     | 0.57                               | 1.03                       | 0.98 | 0.94 | 1.91                       | 1.8                 | 1.9                   | 2.8                 | 8                  |
| SGY1-801-8                          | 0.18                       | 645                                      | 38.0                                     | 0.61                               | 1.18                       | 1.12 | 1.08 | 2.67                       | 1.8                 | 1.9                   | 3.3                 | 8.5                |
| SGY1-802-8                          | 0.25                       | 645                                      | 43.4                                     | 0.61                               | 1.43                       | 1.36 | 1.31 | 3.70                       | 1.8                 | 1.9                   | 3.3                 | 9                  |
| SGY1-90S-8                          | 0.37                       | 670                                      | 49.7                                     | 0.61                               | 1.85                       | 1.76 | 1.70 | 5.27                       | 1.8                 | 1.9                   | 4.0                 | 12.5               |
| SGY1-90L-8                          | 0.55                       | 670                                      | 56.1                                     | 0.61                               | 2.44                       | 2.32 | 2.24 | 7.84                       | 1.8                 | 2.0                   | 4.0                 | 15                 |
| SGY1-100L1-8                        | 0.75                       | 680                                      | 61.2                                     | 0.67                               | 2.78                       | 2.64 | 2.54 | 10.5                       | 1.8                 | 2.0                   | 4.0                 | 21                 |

|              |     |     |      |      |      |      |      |      |     |     |     |      |
|--------------|-----|-----|------|------|------|------|------|------|-----|-----|-----|------|
| SGY1-100L2-8 | 1.1 | 680 | 66.5 | 0.69 | 3.64 | 3.46 | 3.34 | 15.4 | 1.8 | 2.0 | 5.0 | 22.5 |
| SGY1-112M-8  | 1.5 | 690 | 70.2 | 0.70 | 4.64 | 4.41 | 4.25 | 20.8 | 1.8 | 2.0 | 5.0 | 29   |
| SGY1-132S-8  | 2.2 | 705 | 74.2 | 0.71 | 6.34 | 6.03 | 5.81 | 29.8 | 1.8 | 2.0 | 6.0 | 35   |
| SGY1-132M-8  | 3   | 705 | 77.0 | 0.73 | 8.11 | 7.70 | 7.43 | 40.6 | 1.8 | 2.0 | 6.0 | 42   |
| SGY1-160M1-8 | 4   | 720 | 79.2 | 0.73 | 10.5 | 9.99 | 9.63 | 53.1 | 1.9 | 2.0 | 6.0 | 66   |
| SGY1-160M2-8 | 5.5 | 720 | 81.4 | 0.74 | 13.9 | 13.2 | 12.7 | 73.0 | 1.9 | 2.0 | 6.0 | 75   |
| SGY1-160L-8  | 7.5 | 720 | 83.1 | 0.75 | 18.3 | 17.4 | 16.7 | 99.5 | 1.9 | 2.0 | 6.0 | 86   |

IE1 效率 50Hz 产品技术数据(Technical Data)

| 型号<br>Type   | 额定功率<br>Rated Output<br>kW | 额定转速<br>Rated Speed<br>min <sup>-1</sup> | 效率<br>Efficiency<br>$\eta$<br>%<br>(IE1) | 功率因数<br>Power factor<br>COS $\phi$ | 额定电流<br>Rated current<br>A |      |      | 额定转矩<br>Rated Torque<br>Nm | 堵转转矩<br>倍数<br>Ts/Tn | 最大转矩<br>倍数<br>Tmax/Tn | 堵转电<br>流倍数<br>Is/In | 重量<br>Weight<br>kg |
|--------------|----------------------------|--|--|------------------------------------|----------------------------|------|------|----------------------------|---------------------|-----------------------|---------------------|--------------------|
|              |                            |  |  |                                    | 380                        | 400  | 415  |                            |                     |                       |                     |                    |
|              |                            |  |  |                                    | SGT1-631-2                 | 0.18 | 2720 |                            |                     |                       |                     |                    |
| SGT1-632-2   | 0.25                       | 2720                                     | 58.2                                     | 0.81                               | 0.81                       | 0.77 | 0.74 | 0.88                       | 2.3                 | 2.2                   | 5.5                 | 8.5                |
| SGT1-711-2   | 0.37                       | 2740                                     | 63.9                                     | 0.81                               | 1.09                       | 1.03 | 0.99 | 1.29                       | 2.3                 | 2.2                   | 6.1                 | 9.5                |
| SGT1-712-2   | 0.55                       | 2740                                     | 69.0                                     | 0.82                               | 1.48                       | 1.40 | 1.35 | 1.92                       | 2.3                 | 2.3                   | 6.1                 | 10.5               |
| SGT1-801-2   | 0.75                       | 2840                                     | 72.1                                     | 0.83                               | 1.90                       | 1.81 | 1.74 | 2.52                       | 2.2                 | 2.3                   | 6.1                 | 13                 |
| SGT1-802-2   | 1.1                        | 2840                                     | 75.0                                     | 0.84                               | 2.65                       | 2.52 | 2.43 | 3.70                       | 2.2                 | 2.3                   | 6.9                 | 14.5               |
| SGT1-90S-2   | 1.5                        | 2840                                     | 77.2                                     | 0.84                               | 3.51                       | 3.34 | 3.22 | 5.04                       | 2.2                 | 2.3                   | 7.0                 | 18.5               |
| SGT1-90L-2   | 2.2                        | 2840                                     | 79.7                                     | 0.85                               | 4.93                       | 4.69 | 4.52 | 7.40                       | 2.2                 | 2.3                   | 7.0                 | 22                 |
| SGT1-100L-2  | 3                          | 2860                                     | 81.5                                     | 0.87                               | 6.43                       | 6.11 | 5.89 | 10.02                      | 2.2                 | 2.3                   | 7.5                 | 29.5               |
| SGT1-112M-2  | 4                          | 2880                                     | 83.1                                     | 0.88                               | 8.31                       | 7.90 | 7.61 | 13.3                       | 2.2                 | 2.3                   | 7.5                 | 35.5               |
| SGT1-132S1-2 | 5.5                        | 2900                                     | 84.7                                     | 0.86                               | 11.5                       | 10.9 | 10.5 | 18.1                       | 2.2                 | 2.3                   | 7.5                 | 56.5               |
| SGT1-132S2-2 | 7.5                        | 2900                                     | 86.0                                     | 0.88                               | 15.1                       | 14.3 | 13.8 | 24.7                       | 2.2                 | 2.3                   | 7.5                 | 70                 |
| SGT1-160M1-2 | 11                         | 2930                                     | 87.6                                     | 0.89                               | 21.4                       | 20.4 | 19.6 | 35.9                       | 2.2                 | 2.3                   | 7.5                 | 100                |
| SGT1-160M2-2 | 15                         | 2930                                     | 88.7                                     | 0.89                               | 28.9                       | 27.4 | 26.4 | 48.9                       | 2.2                 | 2.3                   | 7.5                 | 110                |
| SGT1-160L-2  | 18.5                       | 2930                                     | 89.3                                     | 0.90                               | 35.0                       | 33.2 | 32.0 | 60.3                       | 2.2                 | 2.3                   | 7.5                 | 128                |
| SGT1-180M-2  | 22                         | 2940                                     | 89.9                                     | 0.90                               | 41.3                       | 39.2 | 37.8 | 71.5                       | 2.0                 | 2.3                   | 7.5                 | 165                |
| SGT1-200L1-2 | 30                         | 2950                                     | 90.7                                     | 0.90                               | 55.8                       | 53   | 51.1 | 97.1                       | 2.0                 | 2.3                   | 7.5                 | 204                |
| SGT1-200L2-2 | 37                         | 2950                                     | 91.2                                     | 0.90                               | 68.5                       | 65.1 | 62.7 | 120                        | 2.0                 | 2.3                   | 7.5                 | 228                |
| SGT1-225M-2  | 45                         | 2960                                     | 91.7                                     | 0.90                               | 82.8                       | 78.7 | 75.9 | 145                        | 2.0                 | 2.3                   | 7.5                 | 282                |
| SGT1-250M-2  | 55                         | 2965                                     | 92.1                                     | 0.90                               | 101                        | 95.8 | 92.3 | 177                        | 2.0                 | 2.3                   | 7.5                 | 361                |
| SGT1-280S-2  | 75                         | 2970                                     | 92.7                                     | 0.90                               | 137                        | 130  | 125  | 241                        | 2.0                 | 2.3                   | 7.0                 | 483                |
| SGT1-280M-2  | 90                         | 2970                                     | 93.0                                     | 0.91                               | 162                        | 153  | 148  | 289                        | 2.0                 | 2.3                   | 7.1                 | 493                |
| SGT1-315S-2  | 110                        | 2975                                     | 93.3                                     | 0.91                               | 197                        | 187  | 180  | 353                        | 1.8                 | 2.2                   | 7.1                 | 834                |
| SGT1-315M-2  | 132                        | 2975                                     | 93.5                                     | 0.91                               | 236                        | 224  | 216  | 424                        | 1.8                 | 2.2                   | 7.1                 | 909                |
| SGT1-315L1-2 | 160                        | 2975                                     | 93.8                                     | 0.92                               | 282                        | 268  | 258  | 514                        | 1.8                 | 2.2                   | 7.1                 | 957                |
| SGT1-315L2-2 | 200                        | 2975                                     | 94.0                                     | 0.92                               | 351                        | 334  | 322  | 642                        | 1.8                 | 2.2                   | 7.1                 | 1084               |

|             |     |      |      |      |     |     |     |      |     |     |     |      |
|-------------|-----|------|------|------|-----|-----|-----|------|-----|-----|-----|------|
| SGT1-355M-2 | 250 | 2980 | 94.0 | 0.92 | 439 | 417 | 402 | 801  | 1.6 | 2.2 | 7.1 | 1850 |
| SGT1-355L-2 | 315 | 2980 | 94.0 | 0.92 | 553 | 526 | 507 | 1009 | 1.6 | 2.2 | 7.1 | 2200 |

| IE1 效率 50Hz 产品技术数据 (Technical Data) |                            |  |  |                                    |                            |      |      |                            |                     |                       |                     |                    |
|-------------------------------------|----------------------------|--|--|------------------------------------|----------------------------|------|------|----------------------------|---------------------|-----------------------|---------------------|--------------------|
| 型号<br>Type                          | 额定功率<br>Rated Output<br>kW | 额定转速<br>Rated Speed<br>min <sup>-1</sup> | 效率<br>Efficiency<br>$\eta$<br>%<br>(IE1) | 功率因数<br>Power factor<br>COS $\phi$ | 额定电流<br>Rated current<br>A |      |      | 额定转矩<br>Rated Torque<br>Nm | 堵转转矩<br>倍数<br>Ts/Tn | 最大转矩<br>倍数<br>Tmax/Tn | 堵转电<br>流倍数<br>Is/In | 重量<br>Weight<br>kg |
|                                     |                            |  |  |                                    | 380                        | 400  | 415  |                            |                     |                       |                     |                    |
| SGT1-631-4                          | 0.12                       | 1310                                     | 50.0                                     | 0.72                               | 0.51                       | 0.48 | 0.46 | 0.87                       | 2.1                 | 2.2                   | 4.4                 | 8.5                |
| SGT1-632-4                          | 0.18                       | 1310                                     | 57.0                                     | 0.73                               | 0.66                       | 0.62 | 0.60 | 1.31                       | 2.1                 | 2.2                   | 4.4                 | 9                  |
| SGT1-711-4                          | 0.25                       | 1330                                     | 61.5                                     | 0.74                               | 0.83                       | 0.79 | 0.76 | 1.80                       | 2.1                 | 2.2                   | 5.2                 | 11.5               |
| SGT1-712-4                          | 0.37                       | 1330                                     | 66.0                                     | 0.75                               | 1.14                       | 1.08 | 1.04 | 2.66                       | 2.1                 | 2.2                   | 5.2                 | 12                 |
| SGT1-801-4                          | 0.55                       | 1390                                     | 70.0                                     | 0.75                               | 1.59                       | 1.51 | 1.46 | 3.78                       | 2.4                 | 2.3                   | 5.2                 | 14                 |
| SGT1-802-4                          | 0.75                       | 1390                                     | 72.1                                     | 0.76                               | 2.08                       | 1.98 | 1.90 | 5.15                       | 2.3                 | 2.3                   | 6.0                 | 14.5               |
| SGT1-90S-4                          | 1.1                        | 1390                                     | 75.0                                     | 0.77                               | 2.89                       | 2.75 | 2.65 | 7.56                       | 2.3                 | 2.3                   | 6.0                 | 17.5               |
| SGT1-90L-4                          | 1.5                        | 1390                                     | 77.2                                     | 0.77                               | 3.83                       | 3.64 | 3.51 | 10.3                       | 2.3                 | 2.3                   | 6.0                 | 23                 |
| SGT1-100L1-4                        | 2.2                        | 1390                                     | 79.7                                     | 0.81                               | 5.18                       | 4.92 | 4.74 | 15.1                       | 2.3                 | 2.3                   | 7.0                 | 30.5               |
| SGT1-100L2-4                        | 3                          | 1410                                     | 81.5                                     | 0.82                               | 6.82                       | 6.48 | 6.25 | 20.3                       | 2.3                 | 2.3                   | 7.0                 | 31.5               |
| SGT1-112M-4                         | 4                          | 1410                                     | 83.1                                     | 0.82                               | 8.92                       | 8.47 | 8.17 | 27.1                       | 2.3                 | 2.3                   | 7.0                 | 38                 |
| SGT1-132S-4                         | 5.5                        | 1435                                     | 84.7                                     | 0.83                               | 11.9                       | 11.3 | 10.9 | 36.6                       | 2.3                 | 2.3                   | 7.0                 | 62                 |
| SGT1-132M-4                         | 7.5                        | 1440                                     | 86.0                                     | 0.84                               | 15.8                       | 15.0 | 14.4 | 49.7                       | 2.3                 | 2.3                   | 7.0                 | 71                 |
| SGT1-160M-4                         | 11                         | 1440                                     | 87.6                                     | 0.84                               | 22.7                       | 21.6 | 20.8 | 73.0                       | 2.2                 | 2.3                   | 7.0                 | 105                |
| SGT1-160L-4                         | 15                         | 1460                                     | 88.7                                     | 0.85                               | 30.2                       | 28.7 | 27.7 | 98.1                       | 2.2                 | 2.3                   | 7.5                 | 124                |
| SGT1-180M-4                         | 18.5                       | 1460                                     | 89.3                                     | 0.86                               | 36.6                       | 34.8 | 33.5 | 121                        | 2.2                 | 2.3                   | 7.5                 | 160                |
| SGT1-180L-4                         | 22                         | 1470                                     | 89.9                                     | 0.86                               | 43.2                       | 41.1 | 39.6 | 143                        | 2.2                 | 2.3                   | 7.5                 | 171                |
| SGT1-200L-4                         | 30                         | 1470                                     | 90.7                                     | 0.86                               | 58.4                       | 55.5 | 53.5 | 195                        | 2.2                 | 2.3                   | 7.2                 | 230                |
| SGT1-225S-4                         | 37                         | 1470                                     | 91.2                                     | 0.87                               | 70.9                       | 67.3 | 64.9 | 240                        | 2.2                 | 2.3                   | 7.2                 | 268                |
| SGT1-225M-4                         | 45                         | 1475                                     | 91.7                                     | 0.87                               | 85.7                       | 81.4 | 78.5 | 291                        | 2.2                 | 2.3                   | 7.2                 | 301                |
| SGT1-250M-4                         | 55                         | 1475                                     | 92.1                                     | 0.87                               | 104                        | 99.1 | 95.5 | 356                        | 2.2                 | 2.3                   | 7.2                 | 363                |
| SGT1-280S-4                         | 75                         | 1480                                     | 92.7                                     | 0.87                               | 141                        | 134  | 129  | 484                        | 2.2                 | 2.3                   | 6.8                 | 491                |
| SGT1-280M-4                         | 90                         | 1480                                     | 93.0                                     | 0.87                               | 169                        | 161  | 155  | 581                        | 2.2                 | 2.3                   | 6.8                 | 576                |
| SGT1-315S-4                         | 110                        | 1480                                     | 93.3                                     | 0.88                               | 204                        | 193  | 186  | 710                        | 2.1                 | 2.2                   | 6.9                 | 805                |
| SGT1-315M-4                         | 132                        | 1480                                     | 93.5                                     | 0.88                               | 244                        | 232  | 223  | 852                        | 2.1                 | 2.2                   | 6.9                 | 915                |
| SGT1-315L1-4                        | 160                        | 1480                                     | 93.8                                     | 0.89                               | 291                        | 277  | 267  | 1032                       | 2.1                 | 2.2                   | 6.9                 | 1025               |
| SGT1-315L2-4                        | 200                        | 1480                                     | 94.0                                     | 0.89                               | 363                        | 345  | 333  | 1291                       | 2.1                 | 2.2                   | 6.9                 | 1170               |
| SGT1-355M-4                         | 250                        | 1490                                     | 94.0                                     | 0.90                               | 449                        | 427  | 411  | 1602                       | 2.1                 | 2.2                   | 6.9                 | 1660               |
| SGT1-355L-4                         | 315                        | 1490                                     | 94.0                                     | 0.90                               | 566                        | 537  | 518  | 2019                       | 2.1                 | 2.2                   | 6.9                 | 1850               |

| IE1 效率 50Hz 产品技术数据 (Technical Data) |                            |  |  |                                    |                            |      |      |                            |                     |                       |                     |                    |
|-------------------------------------|----------------------------|--|--|------------------------------------|----------------------------|------|------|----------------------------|---------------------|-----------------------|---------------------|--------------------|
| 型号<br>Type                          | 额定功率<br>Rated Output<br>kW | 额定转速<br>Rated Speed<br>min <sup>-1</sup> | 效率<br>Efficiency<br>$\eta$<br>%<br>(IE1) | 功率因数<br>Power factor<br>COS $\phi$ | 额定电流<br>Rated current<br>A |      |      | 额定转矩<br>Rated Torque<br>Nm | 堵转转矩<br>倍数<br>Ts/Tn | 最大转矩<br>倍数<br>Tmax/Tn | 堵转电<br>流倍数<br>Is/In | 重量<br>Weight<br>kg |
|                                     |                            |  |  |                                    | 380                        | 400  | 415  |                            |                     |                       |                     |                    |
| SGT1-631-6                          | 0.09                       | 840                                      | 44.0                                     | 0.60                               | 0.52                       | 0.49 | 0.47 | 1.02                       | 1.8                 | 1.9                   | 3.5                 | 8                  |
| SGT1-632-6                          | 0.12                       | 850                                      | 38.3                                     | 0.60                               | 0.79                       | 0.75 | 0.73 | 1.35                       | 1.8                 | 1.9                   | 3.5                 | 8.5                |
| SGT1-711-6                          | 0.18                       | 850                                      | 45.5                                     | 0.66                               | 0.91                       | 0.87 | 0.83 | 2.02                       | 1.9                 | 2.0                   | 4.0                 | 9                  |
| SGT1-712-6                          | 0.25                       | 850                                      | 52.1                                     | 0.68                               | 1.07                       | 1.02 | 0.98 | 2.81                       | 1.9                 | 2.0                   | 4.0                 | 9.5                |
| SGT1-801-6                          | 0.37                       | 885                                      | 59.7                                     | 0.70                               | 1.35                       | 1.28 | 1.23 | 3.99                       | 1.9                 | 2.0                   | 4.7                 | 12.5               |
| SGT1-802-6                          | 0.55                       | 885                                      | 65.8                                     | 0.72                               | 1.76                       | 1.68 | 1.62 | 5.94                       | 1.9                 | 2.1                   | 4.7                 | 13.5               |
| SGT1-90S-6                          | 0.75                       | 910                                      | 70.0                                     | 0.72                               | 2.26                       | 2.15 | 2.07 | 7.87                       | 2.0                 | 2.1                   | 5.3                 | 17.5               |
| SGT1-90L-6                          | 1.1                        | 910                                      | 72.9                                     | 0.72                               | 3.18                       | 3.02 | 2.92 | 11.5                       | 2.0                 | 2.1                   | 5.5                 | 20                 |
| SGT1-100L-6                         | 1.5                        | 920                                      | 75.2                                     | 0.75                               | 4.04                       | 3.84 | 3.70 | 15.6                       | 2.0                 | 2.1                   | 5.5                 | 29                 |
| SGT1-112M-6                         | 2.2                        | 935                                      | 77.7                                     | 0.76                               | 5.66                       | 5.38 | 5.18 | 22.5                       | 2.0                 | 2.1                   | 6.5                 | 38                 |
| SGT1-132S-6                         | 3                          | 960                                      | 79.7                                     | 0.76                               | 7.52                       | 7.15 | 6.89 | 29.8                       | 2.1                 | 2.1                   | 6.5                 | 60                 |
| SGT1-132M1-6                        | 4                          | 960                                      | 81.4                                     | 0.76                               | 9.82                       | 9.33 | 9.00 | 39.8                       | 2.1                 | 2.1                   | 6.5                 | 68                 |
| SGT1-132M2-6                        | 5.5                        | 960                                      | 83.1                                     | 0.77                               | 13.1                       | 12.4 | 12.0 | 54.7                       | 2.1                 | 2.1                   | 6.5                 | 77                 |
| SGT1-160M-6                         | 7.5                        | 970                                      | 84.7                                     | 0.78                               | 17.2                       | 16.4 | 15.8 | 73.8                       | 2.0                 | 2.1                   | 6.5                 | 100                |
| SGT1-160L-6                         | 11                         | 970                                      | 86.4                                     | 0.78                               | 24.8                       | 23.6 | 22.7 | 108                        | 2.0                 | 2.1                   | 6.5                 | 120                |
| SGT1-180L-6                         | 15                         | 970                                      | 87.7                                     | 0.81                               | 32.1                       | 30.5 | 29.4 | 148                        | 2.0                 | 2.1                   | 7.0                 | 165                |
| SGT1-200L1-6                        | 18.5                       | 980                                      | 88.6                                     | 0.81                               | 39.2                       | 37.2 | 35.9 | 180                        | 2.1                 | 2.1                   | 7.0                 | 207                |
| SGT1-200L2-6                        | 22                         | 980                                      | 89.2                                     | 0.83                               | 45.1                       | 42.9 | 41.3 | 214                        | 2.0                 | 2.1                   | 7.0                 | 225                |
| SGT1-225M-6                         | 30                         | 980                                      | 90.2                                     | 0.84                               | 60.2                       | 57.1 | 55.1 | 292                        | 2.0                 | 2.1                   | 7.0                 | 274                |
| SGT1-250M-6                         | 37                         | 980                                      | 90.8                                     | 0.86                               | 72.0                       | 68.4 | 65.9 | 361                        | 2.1                 | 2.1                   | 7.0                 | 350                |
| SGT1-280S-6                         | 45                         | 980                                      | 91.4                                     | 0.86                               | 87.0                       | 82.6 | 79.6 | 439                        | 2.1                 | 2.0                   | 7.0                 | 452                |
| SGT1-280M-6                         | 55                         | 980                                      | 91.9                                     | 0.86                               | 106                        | 100  | 96.8 | 536                        | 2.1                 | 2.0                   | 7.0                 | 508                |
| SGT1-315S-6                         | 75                         | 985                                      | 92.6                                     | 0.86                               | 143                        | 136  | 131  | 727                        | 2.0                 | 2.0                   | 6.7                 | 795                |
| SGT1-315M-6                         | 90                         | 985                                      | 92.9                                     | 0.86                               | 171                        | 163  | 157  | 873                        | 2.0                 | 2.0                   | 6.7                 | 890                |
| SGT1-315L1-6                        | 110                        | 985                                      | 93.3                                     | 0.86                               | 208                        | 198  | 191  | 1066                       | 2.0                 | 2.0                   | 6.7                 | 929                |
| SGT1-315L2-6                        | 132                        | 985                                      | 93.5                                     | 0.87                               | 247                        | 234  | 226  | 1280                       | 2.0                 | 2.0                   | 6.7                 | 1065               |
| SGT1-355M1-6                        | 160                        | 985                                      | 93.8                                     | 0.88                               | 295                        | 280  | 270  | 1551                       | 1.9                 | 2.0                   | 6.7                 | 1500               |
| SGT1-355M2-6                        | 200                        | 985                                      | 94.0                                     | 0.88                               | 367                        | 349  | 336  | 1939                       | 1.9                 | 2.0                   | 6.7                 | 1580               |
| SGT1-355L-6                         | 250                        | 985                                      | 94.0                                     | 0.88                               | 459                        | 436  | 420  | 2424                       | 1.9                 | 2.0                   | 6.7                 | 1650               |

| IE1 效率 50Hz 产品技术数据 (Technical Data) |               |               |                  |               |               |               |            |            |            |              |
|-------------------------------------|---------------|---------------|------------------|---------------|---------------|---------------|------------|------------|------------|--------------|
| 型号<br>Type                          | 额定功率<br>Rated | 额定转速<br>Rated | 效率<br>Efficiency | 功率因数<br>Power | 额定电流<br>Rated | 额定转矩<br>Rated | 堵转转<br>矩倍数 | 最大转矩<br>倍数 | 堵转电<br>流倍数 | 重量<br>Weight |

|              | Output<br>kW | Speed<br>min <sup>-1</sup> | $\eta$<br>%<br>(IE1) | factor<br>COS $\phi$ | current<br>A |      |      | Torque<br>Nm | Ts/Tn | Tmax/Tn | Is/In | kg   |
|--------------|--------------|----------------------------|----------------------|----------------------|--------------|------|------|--------------|-------|---------|-------|------|
|              |              |                            |                      |                      | 380          | 400  | 415  |              |       |         |       |      |
| SGT1-711-8   | 0.09         | 600                        | 40.0                 | 0.57                 | 0.60         | 0.57 | 0.55 | 1.43         | 1.8   | 1.9     | 2.8   | 9    |
| SGT1-712-8   | 0.12         | 600                        | 31.0                 | 0.57                 | 1.03         | 0.98 | 0.94 | 1.91         | 1.8   | 1.9     | 2.8   | 9.5  |
| SGT1-801-8   | 0.18         | 645                        | 38.0                 | 0.61                 | 1.18         | 1.12 | 1.08 | 2.67         | 1.8   | 1.9     | 3.3   | 11   |
| SGT1-802-8   | 0.25         | 645                        | 43.4                 | 0.61                 | 1.43         | 1.36 | 1.31 | 3.70         | 1.8   | 1.9     | 3.3   | 13   |
| SGT1-90S-8   | 0.37         | 670                        | 49.7                 | 0.61                 | 1.85         | 1.76 | 1.70 | 5.27         | 1.8   | 1.9     | 4.0   | 18.5 |
| SGT1-90L-8   | 0.55         | 670                        | 56.1                 | 0.61                 | 2.44         | 2.32 | 2.24 | 7.84         | 1.8   | 2.0     | 4.0   | 20   |
| SGT1-100L1-8 | 0.75         | 680                        | 61.2                 | 0.67                 | 2.78         | 2.64 | 2.54 | 10.5         | 1.8   | 2.0     | 4.0   | 29   |
| SGT1-100L2-8 | 1.1          | 680                        | 66.5                 | 0.69                 | 3.64         | 3.46 | 3.34 | 15.4         | 1.8   | 2.0     | 5.0   | 30   |
| SGT1-112M-8  | 1.5          | 690                        | 70.2                 | 0.70                 | 4.64         | 4.41 | 4.25 | 20.8         | 1.8   | 2.0     | 5.0   | 38   |
| SGT1-132S-8  | 2.2          | 705                        | 74.2                 | 0.71                 | 6.34         | 6.03 | 5.81 | 29.8         | 1.8   | 2.0     | 6.0   | 62   |
| SGT1-132M-8  | 3            | 705                        | 77.0                 | 0.73                 | 8.11         | 7.70 | 7.43 | 40.6         | 1.8   | 2.0     | 6.0   | 75   |
| SGT1-160M1-8 | 4            | 720                        | 79.2                 | 0.73                 | 10.5         | 9.99 | 9.63 | 53.1         | 1.9   | 2.0     | 6.0   | 90   |
| SGT1-160M2-8 | 5.5          | 720                        | 81.4                 | 0.74                 | 13.9         | 13.2 | 12.7 | 73.0         | 1.9   | 2.0     | 6.0   | 105  |
| SGT1-160L-8  | 7.5          | 720                        | 83.1                 | 0.75                 | 18.3         | 17.4 | 16.7 | 99.5         | 1.9   | 2.0     | 6.0   | 125  |
| SGT1-180L-8  | 11           | 730                        | 85.0                 | 0.76                 | 25.9         | 24.6 | 23.7 | 144          | 2.0   | 2.0     | 6.5   | 165  |
| SGT1-200L-8  | 15           | 730                        | 86.2                 | 0.76                 | 34.8         | 33.0 | 31.9 | 196          | 2.0   | 2.0     | 6.6   | 225  |
| SGT1-225S-8  | 18.5         | 730                        | 86.9                 | 0.76                 | 42.6         | 40.4 | 39.0 | 242          | 1.9   | 2.0     | 6.6   | 256  |
| SGT1-225M-8  | 22           | 730                        | 87.4                 | 0.78                 | 49.0         | 46.6 | 44.9 | 288          | 1.9   | 2.0     | 6.6   | 275  |
| SGT1-250M-8  | 30           | 735                        | 88.3                 | 0.79                 | 65.3         | 62.1 | 59.8 | 390          | 1.9   | 2.0     | 6.5   | 350  |
| SGT1-280S-8  | 37           | 735                        | 88.8                 | 0.79                 | 80.1         | 76.1 | 73.4 | 481          | 1.9   | 2.0     | 6.6   | 475  |
| SGT1-280M-8  | 45           | 735                        | 89.2                 | 0.79                 | 97.0         | 92.2 | 88.8 | 585          | 1.9   | 2.0     | 6.6   | 520  |
| SGT1-315S-8  | 55           | 735                        | 89.7                 | 0.81                 | 115          | 109  | 105  | 715          | 1.8   | 2.0     | 6.6   | 815  |
| SGT1-315M-8  | 75           | 735                        | 90.3                 | 0.81                 | 156          | 148  | 143  | 974          | 1.8   | 2.0     | 6.2   | 905  |
| SGT1-315L1-8 | 90           | 735                        | 90.7                 | 0.82                 | 184          | 175  | 168  | 1169         | 1.8   | 2.0     | 6.4   | 988  |
| SGT1-315L2-8 | 110          | 735                        | 91.1                 | 0.82                 | 224          | 213  | 205  | 1429         | 1.8   | 2.0     | 6.4   | 1000 |
| SGT1-355M1-8 | 132          | 740                        | 91.5                 | 0.82                 | 267          | 254  | 245  | 1704         | 1.8   | 2.0     | 6.4   | 1720 |
| SGT1-355M2-8 | 160          | 740                        | 91.9                 | 0.82                 | 323          | 306  | 295  | 2065         | 1.8   | 2.0     | 6.4   | 1850 |
| SGT1-355L-8  | 200          | 740                        | 92.5                 | 0.83                 | 396          | 376  | 362  | 2581         | 1.8   | 2.0     | 6.4   | 1950 |

IE2 效率 50Hz 产品技术数据 (Technical Data)

| 型号<br>Type | 额定功率<br>Rated<br>Output<br>kW | 额定转速<br>Rated<br>Speed<br>min <sup>-1</sup> | 效率<br>Efficiency<br>$\eta$<br>%<br>(IE2)<br>(能效 3 级) | 功率因数<br>Power<br>factor<br>COS $\phi$ | 额定电流<br>Rated<br>current<br>A |      |      | 额定转矩<br>Rated<br>Torque<br>Nm | 堵转转矩<br>倍数<br>Ts/Tn | 最大转矩<br>倍数<br>Tmax/Tn | 堵转电流<br>倍数<br>Is/In | 重量<br>Weight<br>kg |
|------------|-------------------------------|---|--|---------------------------------------|-------------------------------|------|------|-------------------------------|---------------------|-----------------------|---------------------|--------------------|
|            |                               |   |  |                                       | 380                           | 400  | 415  |                               |                     |                       |                     |                    |
| SGY2-631-2 | 0.18                          | 2725  | 60.4   | 0.80                                  | 0.57                          | 0.54 | 0.52 | 0.63                          | 2.2                 | 2.2                   | 5.5                 | 5                  |

|              |      |      |      |      |      |      |      |      |     |     |     |      |
|--------------|------|------|------|------|------|------|------|------|-----|-----|-----|------|
| SGY2-632-2   | 0.25 | 2725 | 64.8 | 0.81 | 0.72 | 0.69 | 0.66 | 0.88 | 2.2 | 2.2 | 5.5 | 5.5  |
| SGY2-711-2   | 0.37 | 2745 | 69.5 | 0.81 | 1.00 | 0.95 | 0.91 | 1.29 | 2.2 | 2.2 | 6.1 | 6.5  |
| SGY2-712-2   | 0.55 | 2745 | 74.1 | 0.82 | 1.38 | 1.31 | 1.26 | 1.91 | 2.3 | 2.3 | 6.1 | 7.5  |
| SGY2-801-2   | 0.75 | 2875 | 77.4 | 0.83 | 1.77 | 1.69 | 1.62 | 2.49 | 2.3 | 2.3 | 6.8 | 9    |
| SGY2-802-2   | 1.1  | 2875 | 79.6 | 0.84 | 2.50 | 2.37 | 2.29 | 3.65 | 2.3 | 2.3 | 7.1 | 10   |
| SGY2-90S-2   | 1.5  | 2890 | 81.3 | 0.84 | 3.34 | 3.17 | 3.06 | 4.96 | 2.3 | 2.3 | 7.3 | 12.5 |
| SGY2-90L-2   | 2.2  | 2890 | 83.2 | 0.85 | 4.73 | 4.49 | 4.33 | 7.27 | 2.3 | 2.3 | 7.6 | 15   |
| SGY2-100L-2  | 3    | 2891 | 84.6 | 0.87 | 6.19 | 5.88 | 5.67 | 9.91 | 2.2 | 2.3 | 7.8 | 21.5 |
| SGY2-112M-2  | 4    | 2914 | 85.8 | 0.88 | 8.05 | 7.65 | 7.37 | 13.1 | 2.2 | 2.3 | 8.1 | 26   |
| SGY2-132S1-2 | 5.5  | 2937 | 87.0 | 0.86 | 11.2 | 10.6 | 10.2 | 17.9 | 2.2 | 2.3 | 8.2 | 38   |
| SGY2-132S2-2 | 7.5  | 2940 | 88.1 | 0.88 | 14.7 | 14.0 | 13.5 | 24.4 | 2.2 | 2.3 | 7.8 | 45   |
| SGY2-160M1-2 | 11   | 2930 | 89.4 | 0.89 | 21.0 | 20.0 | 19.2 | 35.9 | 2.2 | 2.3 | 7.9 | 81   |
| SGY2-160M2-2 | 15   | 2930 | 90.3 | 0.89 | 28.4 | 26.9 | 26.0 | 48.9 | 2.2 | 2.3 | 7.9 | 95   |
| SGY2-160L-2  | 18.5 | 2937 | 90.9 | 0.89 | 34.7 | 33.0 | 31.8 | 60.2 | 2.2 | 2.3 | 8.0 | 106  |

| IE2 效率 50Hz 产品技术数据(Technical Data) |                            |  |  |                                    |                            |      |      |                            |                     |                       |                     |                    |
|------------------------------------|----------------------------|--|--|------------------------------------|----------------------------|------|------|----------------------------|---------------------|-----------------------|---------------------|--------------------|
| 型号<br>Type                         | 额定功率<br>Rated Output<br>kW | 额定转速<br>Rated Speed<br>min <sup>-1</sup> | 效率<br>Efficiency<br>$\eta$<br>%<br>(IE2)<br>(能效 3 级) | 功率因数<br>Power factor<br>COS $\phi$ | 额定电流<br>Rated current<br>A |      |      | 额定转矩<br>Rated Torque<br>Nm | 堵转转矩<br>倍数<br>Ts/Tn | 最大转矩<br>倍数<br>Tmax/Tn | 堵转电<br>流倍数<br>Is/In | 重量<br>Weight<br>kg |
|                                    |                            |  |  |                                    | 380                        | 400  | 415  |                            |                     |                       |                     |                    |
| SGY2-631-4                         | 0.12                       | 1315                                     | 59.1   | 0.72                               | 0.43                       | 0.41 | 0.39 | 0.87                       | 2.1                 | 2.2                   | 4.4                 | 4.5                |
| SGY2-632-4                         | 0.18                       | 1315                                     | 64.7   | 0.73                               | 0.58                       | 0.55 | 0.53 | 1.31                       | 2.1                 | 2.2                   | 4.4                 | 5                  |
| SGY2-711-4                         | 0.25                       | 1335                                     | 68.5   | 0.74                               | 0.75                       | 0.71 | 0.69 | 1.79                       | 2.1                 | 2.2                   | 5.2                 | 6.5                |
| SGY2-712-4                         | 0.37                       | 1335                                     | 72.7   | 0.75                               | 1.03                       | 0.98 | 0.94 | 2.65                       | 2.1                 | 2.2                   | 5.2                 | 7.5                |
| SGY2-801-4                         | 0.55                       | 1400                                     | 77.1   | 0.75                               | 1.45                       | 1.37 | 1.32 | 3.75                       | 2.3                 | 2.3                   | 5.2                 | 9.5                |
| SGY2-802-4                         | 0.75                       | 1400                                     | 79.6   | 0.76                               | 1.88                       | 1.79 | 1.72 | 5.12                       | 2.3                 | 2.3                   | 6.4                 | 11                 |
| SGY2-90S-4                         | 1.1                        | 1440                                     | 81.4   | 0.77                               | 2.67                       | 2.53 | 2.44 | 7.30                       | 2.3                 | 2.3                   | 6.6                 | 14                 |
| SGY2-90L-4                         | 1.5                        | 1445                                     | 82.8   | 0.77                               | 3.57                       | 3.40 | 3.27 | 9.91                       | 2.3                 | 2.3                   | 6.7                 | 16                 |
| SGY2-100L1-4                       | 2.2                        | 1440                                     | 84.3   | 0.81                               | 4.90                       | 4.65 | 4.48 | 14.6                       | 2.3                 | 2.3                   | 7.3                 | 22.5               |
| SGY2-100L2-4                       | 3                          | 1440                                     | 85.5   | 0.82                               | 6.50                       | 6.18 | 5.95 | 19.9                       | 2.3                 | 2.3                   | 7.5                 | 25                 |
| SGY2-112M-4                        | 4                          | 1445                                     | 86.6   | 0.82                               | 8.56                       | 8.13 | 7.84 | 26.4                       | 2.3                 | 2.3                   | 7.5                 | 35                 |
| SGY2-132S-4                        | 5.5                        | 1455                                     | 87.7   | 0.83                               | 11.5                       | 10.9 | 10.5 | 36.1                       | 2.0                 | 2.3                   | 7.5                 | 44                 |
| SGY2-132M-4                        | 7.5                        | 1455                                     | 88.7   | 0.84                               | 15.3                       | 14.5 | 14.0 | 49.2                       | 2.0                 | 2.3                   | 7.3                 | 55                 |
| SGY2-160M-4                        | 11                         | 1460                                     | 89.8   | 0.84                               | 22.2                       | 21.0 | 20.3 | 72.0                       | 2.0                 | 2.3                   | 7.4                 | 82                 |
| SGY2-160L-4                        | 15                         | 1460                                     | 90.6   | 0.85                               | 29.6                       | 28.1 | 27.1 | 98.1                       | 2.0                 | 2.3                   | 7.5                 | 104                |

| IE2 效率 50Hz 产品技术数据(Technical Data) |               |                     |                            |                      |                       |                      |                     |                       |                     |                    |
|------------------------------------|---------------|---------------------|----------------------------|----------------------|-----------------------|----------------------|---------------------|-----------------------|---------------------|--------------------|
| 型号<br>Type                         | 额定功率<br>Rated | 额定转速<br>Rated Speed | 效率<br>Efficiency<br>$\eta$ | 功率因数<br>Power factor | 额定电流<br>Rated current | 额定转矩<br>Rated Torque | 堵转转矩<br>倍数<br>Ts/Tn | 最大转矩<br>倍数<br>Tmax/Tn | 堵转电<br>流倍数<br>Is/In | 重量<br>Weight<br>kg |

|              | Output<br>kW | min <sup>-1</sup> | %<br>(IE2)<br>(能效 3 级) | COSφ | A    |      |      | Nm    |     |     |     |      |
|--------------|--------------|-------------------|------------------------|------|------|------|------|-------|-----|-----|-----|------|
|              |              |                   |                        |      | 380  | 400  | 415  |       |     |     |     |      |
| SGY2-632-6   | 0.12         | 850               | 50.6                   | 0.60 | 0.6  | 0.57 | 0.55 | 1.35  | 2.0 | 2.1 | 4.4 | 5.5  |
| SGY2-711-6   | 0.18         | 850               | 56.6                   | 0.66 | 0.73 | 0.70 | 0.67 | 2.02  | 2.0 | 2.1 | 4.0 | 8    |
| SGY2-712-6   | 0.25         | 850               | 61.6                   | 0.68 | 0.91 | 0.86 | 0.83 | 2.81  | 2.0 | 2.1 | 4.0 | 8.3  |
| SGY2-801-6   | 0.37         | 885               | 67.6                   | 0.70 | 1.19 | 1.13 | 1.09 | 3.99  | 2.0 | 2.1 | 4.7 | 10.5 |
| SGY2-802-6   | 0.55         | 885               | 73.1                   | 0.72 | 1.59 | 1.51 | 1.45 | 5.94  | 2.0 | 2.1 | 4.7 | 11.5 |
| SGY2-90S-6   | 0.75         | 934               | 75.9                   | 0.72 | 2.09 | 1.98 | 1.91 | 7.67  | 2.0 | 2.1 | 5.3 | 12.5 |
| SGY2-90L-6   | 1.1          | 945               | 78.1                   | 0.72 | 2.97 | 2.82 | 2.72 | 11.1  | 2.0 | 2.1 | 5.0 | 16   |
| SGY2-100L-6  | 1.5          | 945               | 79.8                   | 0.75 | 3.81 | 3.62 | 3.49 | 15.2  | 2.0 | 2.1 | 5.5 | 23   |
| SGY2-112M-6  | 2.2          | 960               | 81.8                   | 0.76 | 5.38 | 5.11 | 4.92 | 21.9  | 2.0 | 2.1 | 5.5 | 28   |
| SGY2-132S-6  | 3            | 964               | 83.3                   | 0.76 | 7.20 | 6.84 | 6.59 | 29.7  | 2.0 | 2.1 | 6.5 | 42   |
| SGY2-132M1-6 | 4            | 965               | 84.6                   | 0.76 | 9.45 | 8.98 | 8.66 | 39.6  | 2.0 | 2.1 | 6.5 | 49   |
| SGY2-132M2-6 | 5.5          | 965               | 86.0                   | 0.77 | 12.6 | 12.0 | 11.6 | 54.4  | 2.0 | 2.1 | 6.5 | 53   |
| SGY2-160M-6  | 7.5          | 970               | 87.2                   | 0.78 | 16.8 | 15.9 | 15.3 | 73.8  | 2.0 | 2.1 | 6.5 | 86   |
| SGY2-160L-6  | 11           | 970               | 88.7                   | 0.78 | 24.2 | 22.9 | 22.1 | 108.3 | 2.0 | 2.1 | 6.5 | 102  |

IE2 效率 50Hz 产品技术数据(Technical Data)

| 型号<br>Type   | 额定功率<br>Rated Output<br>kW | 额定转速<br>Rated Speed<br>min <sup>-1</sup> | 效率<br>Efficiency<br>η<br>%<br>(IE2)<br>(能效 3 级) | 功率因数<br>Power factor<br>COSφ | 额定电流<br>Rated current<br>A |      |      | 额定转矩<br>Rated Torque<br>Nm | 堵转转矩倍数<br>Ts/Tn | 最大转矩倍数<br>Tmax/Tn | 堵转电流倍数<br>Is/In | 重量<br>Weight<br>kg |
|--------------|----------------------------|--|---|------------------------------|----------------------------|------|------|----------------------------|-----------------|-------------------|-----------------|--------------------|
|              |                            |  |   |                              | 380                        | 400  | 415  |                            |                 |                   |                 |                    |
| SGY2-712-8   | 0.12                       | 605                                      | 39.8  | 0.57                         | 0.80                       | 0.76 | 0.74 | 1.89                       | 1.8             | 1.9               | 2.8             | 9.5                |
| SGY2-801-8   | 0.18                       | 650                                      | 45.9  | 0.61                         | 0.98                       | 0.93 | 0.89 | 2.64                       | 1.8             | 1.9               | 3.3             | 10.5               |
| SGY2-802-8   | 0.25                       | 650                                      | 50.6  | 0.61                         | 1.23                       | 1.17 | 1.13 | 3.67                       | 1.8             | 1.9               | 3.3             | 11                 |
| SGY2-90S-8   | 0.37                       | 675                                      | 56.1  | 0.61                         | 1.64                       | 1.56 | 1.50 | 5.23                       | 1.8             | 1.9               | 4.0             | 15                 |
| SGY2-90L-8   | 0.55                       | 675                                      | 61.7  | 0.61                         | 2.22                       | 2.11 | 2.03 | 7.78                       | 1.8             | 2.0               | 4.0             | 18.5               |
| SGY2-100L1-8 | 0.75                       | 685                                      | 66.2  | 0.67                         | 2.57                       | 2.44 | 2.35 | 10.5                       | 1.8             | 2.0               | 4.0             | 25                 |
| SGY2-100L2-8 | 1.1                        | 685                                      | 70.8  | 0.69                         | 3.42                       | 3.25 | 3.13 | 15.3                       | 1.8             | 2.0               | 5.0             | 26.5               |
| SGY2-112M-8  | 1.5                        | 695                                      | 74.1  | 0.70                         | 4.39                       | 4.17 | 4.02 | 20.6                       | 1.8             | 2.0               | 5.0             | 34                 |
| SGY2-132S-8  | 2.2                        | 710                                      | 77.6  | 0.71                         | 6.07                       | 5.76 | 5.56 | 29.6                       | 1.8             | 2.0               | 6.0             | 44                 |
| SGY2-132M-8  | 3                          | 710                                      | 80.0  | 0.73                         | 7.80                       | 7.41 | 7.15 | 40.4                       | 1.8             | 2.0               | 6.0             | 52                 |
| SGY2-160M1-8 | 4                          | 725                                      | 81.9  | 0.73                         | 10.2                       | 9.66 | 9.31 | 52.7                       | 1.9             | 2.0               | 6.0             | 80                 |
| SGY2-160M2-8 | 5.5                        | 725                                      | 83.8  | 0.74                         | 13.5                       | 12.8 | 12.3 | 72.4                       | 2.0             | 2.0               | 6.0             | 90                 |
| SGY2-160L-8  | 7.5                        | 725                                      | 85.3  | 0.75                         | 17.8                       | 16.9 | 16.3 | 98.8                       | 2.0             | 2.0               | 6.0             | 104                |



| IE2 效率 50Hz 产品技术数据(Technical Data) |                            |  |  |                                    |                            |      |      |                            |                     |                       |                     |                    |
|------------------------------------|----------------------------|--|--|------------------------------------|----------------------------|------|------|----------------------------|---------------------|-----------------------|---------------------|--------------------|
| 型号<br>Type                         | 额定功率<br>Rated Output<br>kW | 额定转速<br>Rated Speed<br>min <sup>-1</sup> | 效率<br>Efficiency<br>$\eta$<br>%<br>(IE2)<br>(能效 3 级) | 功率因数<br>Power factor<br>COS $\phi$ | 额定电流<br>Rated current<br>A |      |      | 额定转矩<br>Rated Torque<br>Nm | 堵转转矩<br>倍数<br>Ts/Tn | 最大转矩<br>倍数<br>Tmax/Tn | 堵转电<br>流倍数<br>Is/In | 重量<br>Weight<br>kg |
|                                    |                            |  |  |                                    | 380                        | 400  | 415  |                            |                     |                       |                     |                    |
| SGT2-801-2                         | 0.75                       | 2875                                     | 77.4   | 0.83                               | 1.77                       | 1.69 | 1.62 | 2.49                       | 2.3                 | 2.3                   | 6.8                 | 16                 |
| SGT2-802-2                         | 1.1                        | 2875                                     | 79.6   | 0.84                               | 2.50                       | 2.37 | 2.29 | 3.65                       | 2.3                 | 2.3                   | 7.1                 | 17                 |
| SGT2-90S-2                         | 1.5                        | 2890                                     | 81.3   | 0.84                               | 3.34                       | 3.17 | 3.06 | 4.96                       | 2.3                 | 2.3                   | 7.3                 | 21                 |
| SGT2-90L-2                         | 2.2                        | 2890                                     | 83.2   | 0.85                               | 4.73                       | 4.49 | 4.33 | 7.27                       | 2.3                 | 2.3                   | 7.6                 | 23                 |
| SGT2-100L-2                        | 3                          | 2891                                     | 84.6   | 0.87                               | 6.19                       | 5.88 | 5.67 | 9.91                       | 2.2                 | 2.3                   | 7.8                 | 33                 |
| SGT2-112M-2                        | 4                          | 2914                                     | 85.8   | 0.88                               | 8.05                       | 7.65 | 7.37 | 13.1                       | 2.2                 | 2.3                   | 8.1                 | 42                 |
| SGT2-132S1-2                       | 5.5                        | 2937                                     | 87.0   | 0.86                               | 11.2                       | 10.6 | 10.2 | 17.9                       | 2.2                 | 2.3                   | 8.2                 | 56                 |
| SGT2-132S2-2                       | 7.5                        | 2940                                     | 88.1   | 0.88                               | 14.7                       | 14.0 | 13.5 | 24.4                       | 2.2                 | 2.3                   | 7.8                 | 62                 |
| SGT2-160M1-2                       | 11                         | 2930                                     | 89.4   | 0.89                               | 21.0                       | 20.0 | 19.2 | 35.9                       | 2.2                 | 2.3                   | 7.9                 | 108                |
| SGT2-160M2-2                       | 15                         | 2930                                     | 90.3   | 0.89                               | 28.4                       | 26.9 | 26.0 | 48.9                       | 2.2                 | 2.3                   | 7.9                 | 122                |
| SGT2-160L-2                        | 18.5                       | 2937                                     | 90.9   | 0.89                               | 34.7                       | 33.0 | 31.8 | 60.2                       | 2.2                 | 2.3                   | 8.0                 | 140                |
| SGT2-180M-2                        | 22                         | 2940                                     | 91.3   | 0.88                               | 41.6                       | 39.5 | 38.1 | 71.5                       | 2.2                 | 2.3                   | 8.1                 | 178                |
| SGT2-200L1-2                       | 30                         | 2950                                     | 92.0   | 0.88                               | 56.3                       | 53.5 | 51.6 | 97.1                       | 2.0                 | 2.3                   | 7.5                 | 230                |
| SGT2-200L2-2                       | 37                         | 2950                                     | 92.5   | 0.89                               | 68.3                       | 64.9 | 62.5 | 119.8                      | 2.0                 | 2.3                   | 7.5                 | 250                |
| SGT2-225M-2                        | 45                         | 2960                                     | 92.9   | 0.89                               | 82.7                       | 78.6 | 75.7 | 145.2                      | 2.2                 | 2.3                   | 7.5                 | 322                |
| SGT2-250M-2                        | 55                         | 2965                                     | 93.2   | 0.90                               | 99.6                       | 94.6 | 91.2 | 177.2                      | 2.2                 | 2.3                   | 7.6                 | 402                |
| SGT2-280S-2                        | 75                         | 2970                                     | 93.8   | 0.90                               | 135                        | 128  | 124  | 241.2                      | 1.8                 | 2.3                   | 6.9                 | 535                |
| SGT2-280M-2                        | 90                         | 2970                                     | 94.1   | 0.91                               | 160                        | 152  | 146  | 289.4                      | 1.8                 | 2.3                   | 6.9                 | 568                |
| SGT2-315S-2                        | 110                        | 2975                                     | 94.3   | 0.91                               | 195                        | 185  | 178  | 353.1                      | 1.8                 | 2.2                   | 7.0                 | 915                |
| SGT2-315M-2                        | 132                        | 2975                                     | 94.6   | 0.91                               | 233                        | 221  | 213  | 423.7                      | 1.8                 | 2.2                   | 7.0                 | 1030               |
| SGT2-315L1-2                       | 160                        | 2975                                     | 94.8   | 0.92                               | 279                        | 265  | 255  | 513.6                      | 1.8                 | 2.2                   | 7.1                 | 1070               |
| SGT2-315L2-2                       | 200                        | 2975                                     | 95.0   | 0.92                               | 348                        | 330  | 318  | 642.0                      | 1.8                 | 2.2                   | 7.1                 | 1195               |
| SGT2-355M-2                        | 250                        | 2980                                     | 95.0   | 0.92                               | 435                        | 413  | 398  | 801.2                      | 1.6                 | 2.2                   | 7.1                 | 1560               |
| SGT2-355L-2                        | 315                        | 2980                                     | 95.0   | 0.92                               | 548                        | 520  | 501  | 1009.5                     | 1.6                 | 2.2                   | 7.2                 | 1700               |

| IE2 效率 50Hz 产品技术数据(Technical Data) |                            |  |  |                                    |                            |      |      |                            |                     |                       |                     |                    |
|------------------------------------|----------------------------|--|--|------------------------------------|----------------------------|------|------|----------------------------|---------------------|-----------------------|---------------------|--------------------|
| 型号<br>Type                         | 额定功率<br>Rated Output<br>kW | 额定转速<br>Rated Speed<br>min <sup>-1</sup> | 效率<br>Efficiency<br>$\eta$<br>%<br>(IE2)<br>(能效 3 级) | 功率因数<br>Power factor<br>COS $\phi$ | 额定电流<br>Rated current<br>A |      |      | 额定转矩<br>Rated Torque<br>Nm | 堵转转矩<br>倍数<br>Ts/Tn | 最大转矩<br>倍数<br>Tmax/Tn | 堵转电<br>流倍数<br>Is/In | 重量<br>Weight<br>kg |
|                                    |                            |  |  |                                    | 380                        | 400  | 415  |                            |                     |                       |                     |                    |
| SGT2-801-4                         | 0.55                       | 1400                                     | 77.1   | 0.75                               | 1.45                       | 1.37 | 1.32 | 3.75                       | 2.3                 | 2.3                   | 5.2                 | 15                 |
| SGT2-802-4                         | 0.75                       | 1400                                     | 79.6   | 0.76                               | 1.88                       | 1.79 | 1.72 | 5.12                       | 2.4                 | 2.5                   | 5.0                 | 15.5               |

|              |      |      |      |      |      |      |      |        |     |     |     |      |
|--------------|------|------|------|------|------|------|------|--------|-----|-----|-----|------|
| SGT2-90S-4   | 1.1  | 1440 | 81.4 | 0.77 | 2.67 | 2.53 | 2.44 | 7.30   | 2.4 | 2.5 | 6.0 | 21   |
| SGT2-90L-4   | 1.5  | 1445 | 82.8 | 0.77 | 3.57 | 3.40 | 3.27 | 9.91   | 2.7 | 3.0 | 6.8 | 25   |
| SGT2-100L1-4 | 2.2  | 1440 | 84.3 | 0.81 | 4.90 | 4.65 | 4.48 | 14.6   | 2.7 | 3.0 | 7.0 | 35   |
| SGT2-100L2-4 | 3    | 1440 | 85.5 | 0.82 | 6.50 | 6.18 | 5.95 | 19.9   | 2.6 | 2.8 | 7.0 | 35   |
| SGT2-112M-4  | 4    | 1445 | 86.6 | 0.82 | 8.56 | 8.13 | 7.84 | 26.4   | 2.6 | 2.8 | 7.5 | 52   |
| SGT2-132S-4  | 5.5  | 1455 | 87.7 | 0.83 | 11.5 | 10.9 | 10.5 | 36.1   | 2.2 | 2.8 | 6.4 | 53   |
| SGT2-132M-4  | 7.5  | 1455 | 88.7 | 0.84 | 15.3 | 14.5 | 14.0 | 49.2   | 2.2 | 2.8 | 7.0 | 81   |
| SGT2-160M-4  | 11   | 1460 | 89.8 | 0.84 | 22.2 | 21.0 | 20.3 | 72.0   | 2.1 | 2.8 | 6.9 | 115  |
| SGT2-160L-4  | 15   | 1460 | 90.6 | 0.85 | 29.6 | 28.1 | 27.1 | 98.1   | 2.1 | 2.8 | 7.5 | 136  |
| SGT2-180M-4  | 18.5 | 1470 | 91.2 | 0.86 | 35.8 | 34.0 | 32.8 | 120.2  | 2.1 | 2.8 | 7.8 | 176  |
| SGT2-180L-4  | 22   | 1470 | 91.6 | 0.86 | 42.4 | 40.3 | 38.9 | 142.9  | 2.1 | 2.8 | 7.5 | 195  |
| SGT2-200L-4  | 30   | 1470 | 92.3 | 0.86 | 57.4 | 54.6 | 52.6 | 194.9  | 2.0 | 2.5 | 7.1 | 260  |
| SGT2-225S-4  | 37   | 1480 | 92.7 | 0.87 | 59.7 | 66.2 | 63.8 | 238.8  | 2.0 | 2.5 | 7.5 | 303  |
| SGT2-225M-4  | 45   | 1480 | 93.1 | 0.87 | 84.4 | 80.2 | 77.3 | 290.4  | 2.0 | 2.5 | 7.6 | 330  |
| SGT2-250M-4  | 55   | 1480 | 93.5 | 0.87 | 103  | 97.6 | 94.1 | 354.9  | 1.8 | 2.2 | 7.3 | 418  |
| SGT2-280S-4  | 75   | 1480 | 94.0 | 0.87 | 139  | 132  | 128  | 484.0  | 1.8 | 2.2 | 7.6 | 545  |
| SGT2-280M-4  | 90   | 1480 | 94.2 | 0.87 | 167  | 159  | 153  | 580.7  | 1.8 | 2.2 | 7.5 | 639  |
| SGT2-315S-4  | 110  | 1485 | 94.5 | 0.88 | 201  | 191  | 184  | 707.4  | 1.8 | 2.2 | 7.1 | 940  |
| SGT2-315M-4  | 132  | 1485 | 94.7 | 0.88 | 240  | 229  | 220  | 848.9  | 1.8 | 2.2 | 7.3 | 1035 |
| SGT2-315L1-4 | 160  | 1485 | 94.9 | 0.89 | 288  | 273  | 264  | 1029.0 | 1.8 | 2.2 | 7.4 | 1128 |
| SGT2-315L2-4 | 200  | 1485 | 95.1 | 0.89 | 359  | 341  | 329  | 1286.2 | 1.8 | 2.2 | 7.6 | 1230 |
| SGT2-355M-4  | 250  | 1490 | 95.1 | 0.90 | 444  | 422  | 406  | 1602.3 | 1.8 | 2.2 | 7.5 | 1670 |
| SGT2-355L-4  | 315  | 1490 | 95.1 | 0.90 | 559  | 531  | 512  | 2019.0 | 1.8 | 2.2 | 7.4 | 2850 |

| IE2 效率 50Hz 产品技术数据 (Technical Data) |                            |  |  |                                    |                            |      |      |                            |                     |                       |                     |                    |
|-------------------------------------|----------------------------|--|--|------------------------------------|----------------------------|------|------|----------------------------|---------------------|-----------------------|---------------------|--------------------|
| 型号<br>Type                          | 额定功率<br>Rated Output<br>kW | 额定转速<br>Rated Speed<br>min <sup>-1</sup> | 效率<br>Efficiency<br>$\eta$<br>%<br>(IE2)<br>(能效 3 级) | 功率因数<br>Power factor<br>COS $\phi$ | 额定电流<br>Rated current<br>A |      |      | 额定转矩<br>Rated Torque<br>Nm | 堵转转矩<br>倍数<br>Ts/Tn | 最大转矩<br>倍数<br>Tmax/Tn | 堵转电<br>流倍数<br>Is/In | 重量<br>Weight<br>kg |
|                                     |                            |  |  |                                    | 380                        | 400  | 415  |                            |                     |                       |                     |                    |
| SGT2-801-6                          | 0.37                       | 885                                      | 67.6   | 0.70                               | 1.19                       | 1.13 | 1.09 | 4.0                        | 1.9                 | 2.0                   | 4.7                 | 13                 |
| SGT2-802-6                          | 0.55                       | 885                                      | 73.1   | 0.72                               | 1.59                       | 1.51 | 1.45 | 5.9                        | 1.9                 | 2.1                   | 4.7                 | 14.5               |
| SGT2-90S-6                          | 0.75                       | 934                                      | 75.9   | 0.72                               | 2.09                       | 1.98 | 1.91 | 7.7                        | 2.0                 | 2.1                   | 5.8                 | 23.5               |
| SGT2-90L-6                          | 1.1                        | 945                                      | 78.1   | 0.72                               | 2.97                       | 2.82 | 2.72 | 11.1                       | 2.0                 | 2.1                   | 5.9                 | 27                 |
| SGT2-100L-6                         | 1.5                        | 945                                      | 79.8   | 0.75                               | 3.81                       | 3.62 | 3.49 | 15.2                       | 2.0                 | 2.1                   | 5.9                 | 36                 |
| SGT2-112M-6                         | 2.2                        | 960                                      | 81.8   | 0.76                               | 5.38                       | 5.11 | 4.92 | 21.9                       | 2.0                 | 2.1                   | 6.2                 | 51                 |
| SGT2-132S-6                         | 3                          | 964                                      | 83.3   | 0.76                               | 7.20                       | 6.84 | 6.59 | 29.7                       | 2.0                 | 2.1                   | 6.4                 | 56                 |
| SGT2-132M1-6                        | 4                          | 965                                      | 84.6   | 0.76                               | 9.45                       | 8.98 | 8.66 | 39.6                       | 2.0                 | 2.1                   | 6.6                 | 71.5               |
| SGT2-132M2-6                        | 5.5                        | 965                                      | 86.0   | 0.77                               | 12.6                       | 12.0 | 11.6 | 54.4                       | 2.0                 | 2.1                   | 6.8                 | 74                 |
| SGT2-160M-6                         | 7.5                        | 970                                      | 87.2   | 0.78                               | 16.8                       | 15.9 | 15.3 | 73.8                       | 2.0                 | 2.1                   | 6.8                 | 112                |
| SGT2-160L-6                         | 11                         | 970                                      | 88.7   | 0.78                               | 24.2                       | 22.9 | 22.1 | 108.3                      | 2.0                 | 2.1                   | 6.9                 | 134                |

|              |      |     |      |      |      |      |      |        |     |     |     |      |
|--------------|------|-----|------|------|------|------|------|--------|-----|-----|-----|------|
| SGT2-180L-6  | 15   | 975 | 89.7 | 0.81 | 31.4 | 29.8 | 28.7 | 146.9  | 2.0 | 2.1 | 7.3 | 184  |
| SGT2-200L1-6 | 18.5 | 980 | 90.4 | 0.81 | 38.4 | 36.5 | 35.1 | 180.3  | 2.0 | 2.1 | 7.2 | 225  |
| SGT2-200L2-6 | 22   | 980 | 90.9 | 0.83 | 44.3 | 42.1 | 40.6 | 214.4  | 2.0 | 2.1 | 7.3 | 240  |
| SGT2-225M-6  | 30   | 980 | 91.7 | 0.84 | 59.2 | 56.2 | 54.2 | 292.3  | 2.0 | 2.1 | 6.8 | 285  |
| SGT2-250M-6  | 37   | 980 | 92.2 | 0.86 | 70.9 | 67.4 | 64.9 | 360.6  | 2.0 | 2.1 | 7.0 | 390  |
| SGT2-280S-6  | 45   | 980 | 92.7 | 0.86 | 85.8 | 81.5 | 78.5 | 438.5  | 2.0 | 2.0 | 7.2 | 490  |
| SGT2-280M-6  | 55   | 980 | 93.1 | 0.86 | 104  | 99.2 | 95.6 | 536.0  | 2.0 | 2.0 | 7.2 | 550  |
| SGT2-315S-6  | 75   | 985 | 93.7 | 0.86 | 141  | 134  | 129  | 727.2  | 2.0 | 2.0 | 6.5 | 838  |
| SGT2-315M-6  | 90   | 985 | 94.0 | 0.86 | 169  | 161  | 155  | 872.6  | 2.0 | 2.0 | 6.6 | 945  |
| SGT2-315L1-6 | 110  | 985 | 94.3 | 0.86 | 206  | 196  | 189  | 1066.5 | 2.0 | 2.0 | 6.6 | 985  |
| SGT2-315L2-6 | 132  | 985 | 94.6 | 0.87 | 244  | 231  | 223  | 1279.8 | 2.0 | 2.0 | 6.6 | 1125 |
| SGT2-355M1-6 | 160  | 990 | 94.8 | 0.88 | 291  | 277  | 267  | 1543.4 | 2.0 | 2.0 | 6.7 | 1665 |
| SGT2-355M2-6 | 200  | 990 | 95.0 | 0.88 | 363  | 345  | 333  | 1929.3 | 2.0 | 2.0 | 6.8 | 1750 |
| SGT2-355L-6  | 250  | 990 | 95.0 | 0.88 | 454  | 432  | 416  | 2411.6 | 2.0 | 2.0 | 6.8 | 1990 |

| IE2 效率 50Hz 产品技术数据(Technical Data) |                            |  |  |                                    |                            |      |      |                            |                 |                   |                 |                    |
|------------------------------------|----------------------------|--|--|------------------------------------|----------------------------|------|------|----------------------------|-----------------|-------------------|-----------------|--------------------|
| 型号<br>Type                         | 额定功率<br>Rated Output<br>kW | 额定转速<br>Rated Speed<br>min <sup>-1</sup> | 效率<br>Efficiency<br>$\eta$<br>%<br>(IE2)<br>(能效 3 级) | 功率因数<br>Power factor<br>COS $\phi$ | 额定电流<br>Rated current<br>A |      |      | 额定转矩<br>Rated Torque<br>Nm | 堵转转矩倍数<br>Ts/Tn | 最大转矩倍数<br>Tmax/Tn | 堵转电流倍数<br>Is/In | 重量<br>Weight<br>kg |
|                                    |                            |  |  |                                    | 380                        | 400  | 415  |                            |                 |                   |                 |                    |
| SGT2-801-8                         | 0.18                       | 650                                      | 45.9   | 0.61                               | 0.98                       | 0.93 | 0.89 | 2.64                       | 1.8             | 1.9               | 3.3             | 13                 |
| SGT2-802-8                         | 0.25                       | 650                                      | 50.6   | 0.61                               | 1.23                       | 1.17 | 1.13 | 3.67                       | 1.8             | 1.9               | 3.3             | 14.5               |
| SGT2-90S-8                         | 0.37                       | 675                                      | 56.1   | 0.61                               | 1.64                       | 1.56 | 1.50 | 5.23                       | 1.8             | 1.9               | 4.0             | 25                 |
| SGT2-90L-8                         | 0.55                       | 675                                      | 61.7   | 0.61                               | 2.22                       | 2.11 | 2.03 | 7.78                       | 1.8             | 2.0               | 4.0             | 26                 |
| SGT2-100L1-8                       | 0.75                       | 685                                      | 66.2   | 0.67                               | 2.57                       | 2.44 | 2.35 | 10.5                       | 1.8             | 2.0               | 4.0             | 35                 |
| SGT2-100L2-8                       | 1.1                        | 685                                      | 70.8   | 0.69                               | 3.42                       | 3.25 | 3.13 | 15.3                       | 1.8             | 2.0               | 5.0             | 36                 |
| SGT2-112M-8                        | 1.5                        | 695                                      | 74.1   | 0.70                               | 4.39                       | 4.17 | 4.02 | 20.6                       | 1.8             | 2.0               | 5.0             | 50                 |
| SGT2-132S-8                        | 2.2                        | 710                                      | 77.6   | 0.71                               | 6.07                       | 5.76 | 5.56 | 29.6                       | 1.8             | 2.0               | 6.0             | 65                 |
| SGT2-132M-8                        | 3                          | 710                                      | 80.0   | 0.73                               | 7.80                       | 7.41 | 7.15 | 40.4                       | 1.8             | 2.0               | 6.0             | 81                 |
| SGT2-160M1-8                       | 4                          | 725                                      | 81.9   | 0.73                               | 10.2                       | 9.66 | 9.31 | 52.7                       | 1.9             | 2.0               | 6.0             | 92                 |
| SGT2-160M2-8                       | 5.5                        | 725                                      | 83.8   | 0.74                               | 13.5                       | 12.8 | 12.3 | 72.4                       | 1.9             | 2.0               | 6.0             | 115                |
| SGT2-160L-8                        | 7.5                        | 725                                      | 85.3   | 0.75                               | 17.8                       | 16.9 | 16.3 | 98.8                       | 1.9             | 2.0               | 6.0             | 124                |
| SGT2-180L-8                        | 11                         | 735                                      | 86.9   | 0.75                               | 25.6                       | 24.4 | 23.5 | 142.9                      | 2.0             | 2.0               | 6.5             | 180                |
| SGT2-200L-8                        | 15                         | 730                                      | 88.0   | 0.76                               | 34.1                       | 32.4 | 31.2 | 196.2                      | 2.0             | 2.0               | 6.6             | 214                |
| SGT2-225S-8                        | 18.5                       | 730                                      | 88.6   | 0.76                               | 41.7                       | 39.7 | 38.2 | 242.0                      | 1.9             | 2.0               | 6.6             | 265                |
| SGT2-225M-8                        | 22                         | 730                                      | 89.1   | 0.78                               | 48.1                       | 45.7 | 44.0 | 287.8                      | 1.9             | 2.0               | 6.6             | 302                |
| SGT2-250M-8                        | 30                         | 735                                      | 89.8   | 0.79                               | 64.3                       | 61.0 | 58.8 | 389.8                      | 1.9             | 2.0               | 6.5             | 395                |
| SGT2-280S-8                        | 37                         | 735                                      | 90.3   | 0.79                               | 78.8                       | 74.9 | 72.2 | 480.7                      | 1.9             | 2.0               | 6.6             | 480                |
| SGT2-280M-8                        | 45                         | 735                                      | 90.7   | 0.79                               | 95.4                       | 90.6 | 87.4 | 584.7                      | 1.9             | 2.0               | 6.6             | 540                |
| SGT2-315S-8                        | 55                         | 735                                      | 91.0   | 0.81                               | 113                        | 108  | 104  | 714.6                      | 1.8             | 2.0               | 6.6             | 820                |

|              |     |     |      |      |     |     |     |        |     |     |     |      |
|--------------|-----|-----|------|------|-----|-----|-----|--------|-----|-----|-----|------|
| SGT2-315M-8  | 75  | 735 | 91.6 | 0.81 | 154 | 146 | 141 | 974.5  | 1.8 | 2.0 | 6.2 | 915  |
| SGT2-315L1-8 | 90  | 735 | 91.9 | 0.82 | 181 | 172 | 166 | 1169.4 | 1.8 | 2.0 | 6.4 | 1000 |
| SGT2-315L2-8 | 110 | 735 | 92.3 | 0.82 | 221 | 210 | 202 | 1429.3 | 1.8 | 2.0 | 6.4 | 1018 |
| SGT2-355M1-8 | 132 | 740 | 92.6 | 0.82 | 264 | 251 | 242 | 1703.5 | 1.8 | 2.0 | 6.4 | 1716 |
| SGT2-355M2-8 | 160 | 740 | 93.0 | 0.82 | 319 | 303 | 292 | 2064.9 | 1.8 | 2.0 | 6.4 | 1870 |
| SGT2-355L-8  | 200 | 740 | 93.5 | 0.83 | 392 | 372 | 359 | 2581.1 | 1.8 | 2.0 | 6.4 | 1950 |

IE3 效率 50Hz 产品技术数据(Technical Data)

| 型号<br>Type   | 额定功率<br>Rated Output<br>kW | 额定转速<br>Rated Speed<br>min <sup>-1</sup> | 效率<br>Efficiency<br>$\eta$<br>%<br>(IE3)<br>(能效 2 级) | 功率因数<br>Power factor<br>COS $\phi$ | 额定电流<br>Rated current<br>A |      |      | 额定转矩<br>Rated Torque<br>Nm | 堵转转矩<br>倍数<br>Ts/Tn | 最大转矩<br>倍数<br>Tmax/Tn | 堵转电<br>流倍数<br>Is/In | 重量<br>Weight<br>kg |
|--------------|----------------------------|--|--|------------------------------------|----------------------------|------|------|----------------------------|---------------------|-----------------------|---------------------|--------------------|
|              |                            |  |  |                                    | 380                        | 400  | 415  |                            |                     |                       |                     |                    |
| SGY3-631-2   | 0.18                       | 2730                                     | 65.9   | 0.80                               | 0.52                       | 0.49 | 0.47 | 0.63                       | 2.2                 | 2.2                   | 5.5                 | 6                  |
| SGY3-632-2   | 0.25                       | 2730                                     | 69.7   | 0.81                               | 0.67                       | 0.64 | 0.62 | 0.87                       | 2.2                 | 2.2                   | 5.5                 | 6.5                |
| SGY3-711-2   | 0.37                       | 2750                                     | 73.8   | 0.81                               | 0.94                       | 0.89 | 0.86 | 1.28                       | 2.2                 | 2.2                   | 6.1                 | 7                  |
| SGY3-712-2   | 0.55                       | 2750                                     | 77.8   | 0.82                               | 1.31                       | 1.24 | 1.20 | 1.91                       | 2.3                 | 2.3                   | 6.1                 | 8                  |
| SGY3-801-2   | 0.75                       | 2880                                     | 80.7   | 0.82                               | 1.72                       | 1.64 | 1.58 | 2.49                       | 2.3                 | 2.3                   | 7.0                 | 9                  |
| SGY3-802-2   | 1.1                        | 2880                                     | 82.7   | 0.83                               | 2.43                       | 2.31 | 2.23 | 3.65                       | 2.2                 | 2.3                   | 7.3                 | 9.5                |
| SGY3-90S-2   | 1.5                        | 2895                                     | 84.2   | 0.84                               | 3.22                       | 3.06 | 2.95 | 4.95                       | 2.2                 | 2.3                   | 7.6                 | 13.5               |
| SGY3-90L-2   | 2.2                        | 2895                                     | 85.9   | 0.85                               | 4.58                       | 4.35 | 4.19 | 7.26                       | 2.2                 | 2.3                   | 7.6                 | 17                 |
| SGY3-100L-2  | 3                          | 2895                                     | 87.1   | 0.87                               | 6.02                       | 5.71 | 5.51 | 9.90                       | 2.2                 | 2.3                   | 7.8                 | 23.5               |
| SGY3-112M-2  | 4                          | 2905                                     | 88.1   | 0.88                               | 7.84                       | 7.45 | 7.18 | 13.1                       | 2.2                 | 2.3                   | 8.3                 | 40                 |
| SGY3-132S1-2 | 5.5                        | 2930                                     | 89.2   | 0.88                               | 10.6                       | 10.1 | 9.75 | 17.9                       | 2.0                 | 2.3                   | 8.3                 | 42                 |
| SGY3-132S2-2 | 7.5                        | 2930                                     | 90.1   | 0.88                               | 14.4                       | 13.7 | 13.2 | 24.4                       | 2.0                 | 2.3                   | 7.9                 | 48                 |
| SGY3-160M1-2 | 11                         | 2945                                     | 91.2   | 0.89                               | 20.6                       | 19.6 | 18.9 | 35.7                       | 2.0                 | 2.3                   | 8.1                 | 83                 |
| SGY3-160M2-2 | 15                         | 2945                                     | 91.9   | 0.89                               | 27.9                       | 26.5 | 25.5 | 48.6                       | 2.0                 | 2.3                   | 8.1                 | 94                 |
| SGY3-160L-2  | 18.5                       | 2940                                     | 92.4   | 0.89                               | 34.2                       | 32.5 | 31.3 | 60.1                       | 2.0                 | 2.3                   | 8.2                 | 107                |

IE3 效率 50Hz 产品技术数据(Technical Data)

| 型号<br>Type | 额定功率<br>Rated Output<br>kW | 额定转速<br>Rated Speed<br>min <sup>-1</sup> | 效率<br>Efficiency<br>$\eta$<br>%<br>(IE3)<br>(能效 2 级) | 功率因数<br>Power factor<br>COS $\phi$ | 额定电流<br>Rated current<br>A |      |      | 额定转矩<br>Rated Torque<br>Nm | 堵转转矩<br>倍数<br>Ts/Tn | 最大转矩<br>倍数<br>Tmax/Tn | 堵转电<br>流倍数<br>Is/In | 重量<br>Weight<br>kg |
|------------|----------------------------|--|--|------------------------------------|----------------------------|------|------|----------------------------|---------------------|-----------------------|---------------------|--------------------|
|            |                            |  |  |                                    | 380                        | 400  | 415  |                            |                     |                       |                     |                    |
| SGY3-631-4 | 0.12                       | 1320                                     | 64.8   | 0.72                               | 0.39                       | 0.37 | 0.36 | 0.87                       | 2.1                 | 2.2                   | 4.4                 | 5                  |
| SGY3-632-4 | 0.18                       | 1320                                     | 69.9   | 0.73                               | 0.54                       | 0.51 | 0.49 | 1.30                       | 2.1                 | 2.2                   | 4.4                 | 5.5                |
| SGY3-711-4 | 0.25                       | 1340                                     | 73.5   | 0.74                               | 0.70                       | 0.66 | 0.64 | 1.78                       | 2.1                 | 2.2                   | 5.2                 | 7                  |
| SGY3-712-4 | 0.37                       | 1340                                     | 77.3   | 0.75                               | 0.97                       | 0.92 | 0.89 | 2.64                       | 2.1                 | 2.2                   | 5.2                 | 8                  |

|              |      |      |      |      |      |      |      |      |     |     |     |      |
|--------------|------|------|------|------|------|------|------|------|-----|-----|-----|------|
| SGY3-801-4   | 0.55 | 1400 | 80.8 | 0.75 | 1.38 | 1.31 | 1.26 | 3.75 | 2.4 | 2.3 | 5.2 | 9    |
| SGY3-802-4   | 0.75 | 1420 | 82.5 | 0.75 | 1.84 | 1.75 | 1.69 | 5.04 | 2.3 | 2.3 | 6.6 | 11   |
| SGY3-90S-4   | 1.1  | 1445 | 84.1 | 0.76 | 2.61 | 2.48 | 2.39 | 7.27 | 2.3 | 2.3 | 6.8 | 15   |
| SGY3-90L-4   | 1.5  | 1445 | 85.3 | 0.77 | 3.47 | 3.3  | 3.18 | 9.91 | 2.3 | 2.3 | 7.0 | 19.5 |
| SGY3-100L1-4 | 2.2  | 1435 | 86.7 | 0.81 | 4.76 | 4.52 | 4.36 | 14.6 | 2.3 | 2.3 | 7.6 | 25.5 |
| SGY3-100L2-4 | 3    | 1435 | 87.7 | 0.82 | 6.34 | 6.02 | 5.8  | 20.0 | 2.3 | 2.3 | 7.6 | 31   |
| SGY3-112M-4  | 4    | 1440 | 88.6 | 0.82 | 8.37 | 7.95 | 7.66 | 26.5 | 2.2 | 2.3 | 7.8 | 37   |
| SGY3-132S-4  | 5.5  | 1460 | 89.6 | 0.83 | 11.2 | 10.7 | 10.3 | 36.0 | 2.0 | 2.3 | 7.9 | 49   |
| SGY3-132M-4  | 7.5  | 1460 | 90.4 | 0.84 | 15.0 | 14.3 | 13.7 | 49.1 | 2.0 | 2.3 | 7.5 | 60   |
| SGY3-160M-4  | 11   | 1465 | 91.4 | 0.85 | 21.5 | 20.4 | 19.7 | 71.7 | 2.2 | 2.3 | 7.7 | 93   |
| SGY3-160L-4  | 15   | 1465 | 92.1 | 0.86 | 28.8 | 27.3 | 26.3 | 97.8 | 2.2 | 2.3 | 7.8 | 108  |

IE3 效率 50Hz 产品技术数据(Technical Data)

| 型号<br>Type   | 额定功率<br>Rated Output<br>kW | 额定转速<br>Rated Speed<br>min <sup>-1</sup> | 效率<br>Efficiency<br>$\eta$<br>%<br>(IE3)<br>(能效 2 级) | 功率因数<br>Power factor<br>COS $\phi$ | 额定电流<br>Rated current<br>A |      |      | 额定转矩<br>Rated Torque<br>Nm | 堵转转矩倍数<br>Ts/Tn | 最大转矩倍数<br>Tmax/Tn | 堵转电流倍数<br>Is/In | 重量<br>Weight<br>kg |
|--------------|----------------------------|--|--|------------------------------------|----------------------------|------|------|----------------------------|-----------------|-------------------|-----------------|--------------------|
|              |                            |  |  |                                    | 380                        | 400  | 415  |                            |                 |                   |                 |                    |
| SGY3-632-6   | 0.12                       | 855                                      | 57.7   | 0.60                               | 0.53                       | 0.50 | 0.48 | 1.34                       | 1.8             | 1.9               | 3.5             | 6.5                |
| SGY3-711-6   | 0.18                       | 855                                      | 63.9   | 0.66                               | 0.65                       | 0.62 | 0.59 | 2.01                       | 1.9             | 2.0               | 4.0             | 9.5                |
| SGY3-712-6   | 0.25                       | 855                                      | 68.6   | 0.68                               | 0.81                       | 0.77 | 0.75 | 2.79                       | 1.9             | 2.0               | 4.0             | 9.8                |
| SGY3-801-6   | 0.37                       | 890                                      | 73.5   | 0.70                               | 1.09                       | 1.04 | 1.00 | 3.97                       | 1.9             | 2.0               | 4.7             | 12.5               |
| SGY3-802-6   | 0.55                       | 890                                      | 77.2   | 0.72                               | 1.50                       | 1.43 | 1.38 | 5.90                       | 1.9             | 2.1               | 4.7             | 13                 |
| SGY3-90S-6   | 0.75                       | 935                                      | 78.9   | 0.71                               | 2.03                       | 1.93 | 1.86 | 7.66                       | 2.0             | 2.1               | 6.0             | 14                 |
| SGY3-90L-6   | 1.1                        | 945                                      | 81.0   | 0.73                               | 2.83                       | 2.69 | 2.59 | 11.1                       | 2.0             | 2.1               | 6.0             | 18                 |
| SGY3-100L-6  | 1.5                        | 949                                      | 82.5   | 0.73                               | 3.78                       | 3.59 | 3.47 | 15.1                       | 2.0             | 2.1               | 6.5             | 30                 |
| SGY3-112M-6  | 2.2                        | 955                                      | 84.3   | 0.74                               | 5.36                       | 5.09 | 4.91 | 22.0                       | 2.0             | 2.1               | 6.6             | 32                 |
| SGY3-132S-6  | 3                          | 968                                      | 85.6   | 0.74                               | 7.20                       | 6.84 | 6.59 | 29.6                       | 2.0             | 2.1               | 6.8             | 43                 |
| SGY3-132M1-6 | 4                          | 968                                      | 86.8   | 0.74                               | 9.46                       | 8.99 | 8.66 | 39.5                       | 2.0             | 2.1               | 6.8             | 50                 |
| SGY3-132M2-6 | 5.5                        | 968                                      | 88.0   | 0.75                               | 12.7                       | 12.0 | 11.6 | 54.3                       | 2.0             | 2.1               | 7.0             | 60                 |
| SGY3-160M-6  | 7.5                        | 970                                      | 89.1   | 0.79                               | 16.2                       | 15.4 | 14.8 | 73.8                       | 2.0             | 2.1               | 7.0             | 82                 |
| SGY3-180L-6  | 15                         | 978                                      | 91.2   | 0.81                               | 30.9                       | 29.3 | 28.2 | 146.5                      | 2.0             | 2.1               | 7.3             | 135                |

IE3 效率 50Hz 产品技术数据(Technical Data)

| 型号<br>Type | 额定功率<br>Rated Output | 额定转速<br>Rated Speed<br>min <sup>-1</sup> | 效率<br>Efficiency<br>$\eta$<br>% | 功率因数<br>Power factor<br>COS $\phi$ | 额定电流<br>Rated current<br>A | 额定转矩<br>Rated Torque<br>Nm | 堵转转矩倍数<br>Ts/Tn | 最大转矩倍数<br>Tmax/Tn | 堵转电流倍数<br>Is/In | 重量<br>Weight<br>kg |
|------------|----------------------|--|---------------------------------|------------------------------------|----------------------------|----------------------------|-----------------|-------------------|-----------------|--------------------|
|------------|----------------------|--|---------------------------------|------------------------------------|----------------------------|----------------------------|-----------------|-------------------|-----------------|--------------------|

|              | kW   |     | (IE3)<br>(能效 2 级) |      | 380  | 400  | 415  |      |     |     |     |      |
|--------------|------|-----|-------------------|------|------|------|------|------|-----|-----|-----|------|
|              |      |     |                   |      |      |      |      |      |     |     |     |      |
| SGY3-712-8   | 0.12 | 605 | 50.7              | 0.57 | 0.63 | 0.60 | 0.58 | 1.89 | 1.8 | 1.9 | 2.8 | 10.5 |
| SGY3-801-8   | 0.18 | 650 | 58.7              | 0.61 | 0.76 | 0.73 | 0.70 | 2.64 | 1.8 | 1.9 | 3.3 | 12   |
| SGY3-802-8   | 0.25 | 650 | 64.1              | 0.61 | 0.97 | 0.92 | 0.89 | 3.67 | 1.8 | 1.9 | 3.3 | 12.5 |
| SGY3-90S-8   | 0.37 | 675 | 69.3              | 0.61 | 1.33 | 1.26 | 1.22 | 5.23 | 1.8 | 1.9 | 4.0 | 17.5 |
| SGY3-90L-8   | 0.55 | 675 | 73.0              | 0.61 | 1.88 | 1.78 | 1.72 | 7.78 | 1.8 | 2.0 | 4.0 | 21.5 |
| SGY3-100L1-8 | 0.75 | 685 | 75.0              | 0.67 | 2.27 | 2.15 | 2.08 | 10.5 | 1.8 | 2.0 | 4.0 | 29   |
| SGY3-100L2-8 | 1.1  | 685 | 77.7              | 0.69 | 3.12 | 2.96 | 2.85 | 15.3 | 1.8 | 2.0 | 5.0 | 30.5 |
| SGY3-112M-8  | 1.5  | 695 | 79.7              | 0.70 | 4.08 | 3.88 | 3.74 | 20.6 | 1.8 | 2.0 | 5.0 | 39   |
| SGY3-132S-8  | 2.2  | 710 | 81.9              | 0.71 | 5.75 | 5.46 | 5.26 | 29.6 | 1.8 | 2.0 | 6.0 | 50   |
| SGY3-132M-8  | 3    | 710 | 83.5              | 0.73 | 7.48 | 7.10 | 6.85 | 40.4 | 1.8 | 2.0 | 6.0 | 59   |
| SGY3-160M1-8 | 4    | 725 | 84.8              | 0.73 | 9.82 | 9.33 | 8.99 | 52.7 | 1.9 | 2.0 | 6.0 | 92   |
| SGY3-160M2-8 | 5.5  | 725 | 86.2              | 0.74 | 13.1 | 12.4 | 12.0 | 72.4 | 2.0 | 2.0 | 6.0 | 105  |
| SGY3-160L-8  | 7.5  | 725 | 87.3              | 0.75 | 17.4 | 16.5 | 15.9 | 98.8 | 2.0 | 2.0 | 6.0 | 118  |

| IE3 效率 50Hz 产品技术数据 (Technical Data) |                            |  |  |                                    |                            |      |      |                            |                     |                       |                     |                    |
|-------------------------------------|----------------------------|--|--|------------------------------------|----------------------------|------|------|----------------------------|---------------------|-----------------------|---------------------|--------------------|
| 型号<br>Type                          | 额定功率<br>Rated Output<br>kW | 额定转速<br>Rated Speed<br>min <sup>-1</sup> | 效率<br>Efficiency<br>$\eta$<br>%<br>(IE3)<br>(能效 2 级) | 功率因数<br>Power factor<br>COS $\phi$ | 额定电流<br>Rated current<br>A |      |      | 额定转矩<br>Rated Torque<br>Nm | 堵转转矩<br>倍数<br>Ts/Tn | 最大转矩倍<br>数<br>Tmax/Tn | 堵转电流<br>倍数<br>Is/In | 重量<br>Weight<br>kg |
|                                     |                            |  |  |                                    | 380                        | 400  | 415  |                            |                     |                       |                     |                    |
| SGT3-801-2                          | 0.75                       | 2880                                     | 80.7   | 0.82                               | 1.72                       | 1.64 | 1.58 | 2.49                       | 2.3                 | 2.3                   | 7.0                 | 18                 |
| SGT3-802-2                          | 1.1                        | 2880                                     | 82.7   | 0.83                               | 2.43                       | 2.31 | 2.23 | 3.65                       | 2.2                 | 2.3                   | 7.3                 | 19.5               |
| SGT3-90S-2                          | 1.5                        | 2895                                     | 84.2   | 0.84                               | 3.22                       | 3.06 | 2.95 | 4.95                       | 2.2                 | 2.3                   | 7.6                 | 23                 |
| SGT3-90L-2                          | 2.2                        | 2895                                     | 85.9   | 0.85                               | 4.58                       | 4.35 | 4.19 | 7.26                       | 2.2                 | 2.3                   | 7.6                 | 27                 |
| SGT3-100L-2                         | 3                          | 2895                                     | 87.1   | 0.87                               | 6.02                       | 5.71 | 5.51 | 9.90                       | 2.2                 | 2.3                   | 7.8                 | 39                 |
| SGT3-112M-2                         | 4                          | 2905                                     | 88.1   | 0.88                               | 7.84                       | 7.45 | 7.18 | 13.1                       | 2.2                 | 2.3                   | 8.3                 | 48                 |
| SGT3-132S1-2                        | 5.5                        | 2930                                     | 89.2   | 0.88                               | 10.6                       | 10.1 | 9.75 | 17.9                       | 2.0                 | 2.3                   | 8.3                 | 55                 |
| SGT3-132S2-2                        | 7.5                        | 2930                                     | 90.1   | 0.88                               | 14.4                       | 13.7 | 13.2 | 24.4                       | 2.0                 | 2.3                   | 7.9                 | 69                 |
| SGT3-160M1-2                        | 11                         | 2945                                     | 91.2   | 0.89                               | 20.6                       | 19.6 | 18.9 | 35.7                       | 2.0                 | 2.3                   | 8.1                 | 113                |
| SGT3-160M2-2                        | 15                         | 2945                                     | 91.9   | 0.89                               | 27.9                       | 26.5 | 25.5 | 48.6                       | 2.0                 | 2.3                   | 8.1                 | 123                |
| SGT3-160L-2                         | 18.5                       | 2940                                     | 92.4   | 0.89                               | 34.2                       | 32.5 | 31.3 | 60.1                       | 2.0                 | 2.3                   | 8.2                 | 142                |
| SGT3-180M-2                         | 22                         | 2955                                     | 92.7   | 0.89                               | 40.5                       | 38.5 | 37.1 | 71.1                       | 2.0                 | 2.3                   | 8.2                 | 182                |
| SGT3-200L1-2                        | 30                         | 2960                                     | 93.3   | 0.89                               | 54.9                       | 52.1 | 50.3 | 96.8                       | 2.0                 | 2.3                   | 7.6                 | 245                |
| SGT3-200L2-2                        | 37                         | 2960                                     | 93.7   | 0.89                               | 67.4                       | 64.0 | 61.7 | 119.4                      | 2.0                 | 2.3                   | 7.6                 | 265                |
| SGT3-225M-2                         | 45                         | 2965                                     | 94.0   | 0.90                               | 80.8                       | 76.8 | 74.0 | 144.9                      | 2.0                 | 2.3                   | 7.7                 | 323                |
| SGT3-250M-2                         | 55                         | 2970                                     | 94.3   | 0.90                               | 98.5                       | 93.5 | 90.2 | 176.9                      | 2.0                 | 2.3                   | 7.7                 | 415                |
| SGT3-280S-2                         | 75                         | 2975                                     | 94.7   | 0.90                               | 134                        | 127  | 122  | 240.8                      | 1.8                 | 2.3                   | 7.1                 | 546                |

|              |     |      |      |      |     |     |     |       |     |     |     |      |
|--------------|-----|------|------|------|-----|-----|-----|-------|-----|-----|-----|------|
| SGT3-280M-2  | 90  | 2975 | 95.0 | 0.90 | 160 | 152 | 146 | 288.9 | 1.8 | 2.3 | 7.1 | 569  |
| SGT3-315S-2  | 110 | 2978 | 95.2 | 0.90 | 195 | 185 | 179 | 352.8 | 1.8 | 2.3 | 7.1 | 897  |
| SGT3-315M-2  | 132 | 2978 | 95.4 | 0.90 | 234 | 222 | 214 | 423.3 | 1.8 | 2.3 | 7.1 | 1029 |
| SGT3-315L1-2 | 160 | 2980 | 95.6 | 0.91 | 279 | 265 | 256 | 512.8 | 1.8 | 2.3 | 7.2 | 1067 |
| SGT3-315L2-2 | 200 | 2980 | 95.8 | 0.91 | 349 | 331 | 319 | 640.9 | 1.8 | 2.2 | 7.2 | 1195 |
| SGT3-355M-2  | 250 | 2982 | 95.8 | 0.91 | 436 | 414 | 399 | 800.6 | 1.6 | 2.2 | 7.2 | 1685 |
| SGT3-355L-2  | 315 | 2982 | 95.8 | 0.91 | 549 | 522 | 503 | 1009  | 1.6 | 2.2 | 7.2 | 1735 |

IE3 效率 50Hz 产品技术数据(Technical Data)

| 型号<br>Type   | 额定功率<br>Rated Output<br>kW | 额定转速<br>Rated Speed<br>min <sup>-1</sup> | 效率<br>Efficiency<br>$\eta$<br>%<br>(IE3)<br>(能效 2 级) | 功率因数<br>Power factor<br>COS $\phi$ | 额定电流<br>Rated current<br>A |      |      | 额定转矩<br>Rated Torque<br>Nm | 堵转转矩<br>倍数<br>Ts/Tn | 最大转矩<br>倍数<br>Tmax/Tn | 堵转电<br>流倍数<br>Is/In | 重量<br>Weight<br>kg |
|--------------|----------------------------|--|--|------------------------------------|----------------------------|------|------|----------------------------|---------------------|-----------------------|---------------------|--------------------|
|              |                            |  |  |                                    | 380                        | 400  | 415  |                            |                     |                       |                     |                    |
| SGT3-801-4   | 0.55                       | 1400                                     | 80.8   | 0.75                               | 1.38                       | 1.31 | 1.26 | 3.75                       | 2.4                 | 2.3                   | 5.2                 | 17.5               |
| SGT3-802-4   | 0.75                       | 1420                                     | 82.5   | 0.75                               | 1.84                       | 1.75 | 1.69 | 5.04                       | 2.3                 | 2.3                   | 6.6                 | 18.5               |
| SGT3-90S-4   | 1.1                        | 1445                                     | 84.1   | 0.76                               | 2.61                       | 2.48 | 2.39 | 7.27                       | 2.3                 | 2.3                   | 6.8                 | 24                 |
| SGT3-90L-4   | 1.5                        | 1445                                     | 85.3   | 0.77                               | 3.47                       | 3.3  | 3.18 | 9.91                       | 2.3                 | 2.3                   | 7.0                 | 30                 |
| SGT3-100L1-4 | 2.2                        | 1435                                     | 86.7   | 0.81                               | 4.76                       | 4.52 | 4.36 | 14.6                       | 2.3                 | 2.3                   | 7.6                 | 41.5               |
| SGT3-100L2-4 | 3                          | 1435                                     | 87.7   | 0.82                               | 6.34                       | 6.02 | 5.8  | 20.0                       | 2.3                 | 2.3                   | 7.6                 | 46                 |
| SGT3-112M-4  | 4                          | 1440                                     | 88.6   | 0.82                               | 8.37                       | 7.95 | 7.66 | 26.5                       | 2.2                 | 2.3                   | 7.8                 | 63                 |
| SGT3-132S-4  | 5.5                        | 1460                                     | 89.6   | 0.83                               | 11.2                       | 10.7 | 10.3 | 36.0                       | 2.0                 | 2.3                   | 7.9                 | 71                 |
| SGT3-132M-4  | 7.5                        | 1460                                     | 90.4   | 0.84                               | 15.0                       | 14.3 | 13.7 | 49.1                       | 2.0                 | 2.3                   | 7.5                 | 85                 |
| SGT3-160M-4  | 11                         | 1465                                     | 91.4   | 0.85                               | 21.5                       | 20.4 | 19.7 | 71.7                       | 2.2                 | 2.3                   | 7.7                 | 122                |
| SGT3-160L-4  | 15                         | 1465                                     | 92.1   | 0.86                               | 28.8                       | 27.3 | 26.3 | 97.8                       | 2.2                 | 2.3                   | 7.8                 | 142                |
| SGT3-180M-4  | 18.5                       | 1470                                     | 92.6   | 0.86                               | 35.3                       | 33.5 | 32.3 | 120.2                      | 2.0                 | 2.3                   | 7.8                 | 181                |
| SGT3-180L-4  | 22                         | 1470                                     | 93.0   | 0.86                               | 41.8                       | 39.7 | 38.3 | 142.9                      | 2.0                 | 2.3                   | 7.8                 | 210                |
| SGT3-200L-4  | 30                         | 1475                                     | 93.6   | 0.86                               | 56.6                       | 53.8 | 51.8 | 194.2                      | 2.0                 | 2.3                   | 7.3                 | 285                |
| SGT3-225S-4  | 37                         | 1485                                     | 93.9   | 0.86                               | 69.6                       | 66.1 | 63.7 | 237.9                      | 2.0                 | 2.3                   | 7.4                 | 330                |
| SGT3-225M-4  | 45                         | 1485                                     | 94.2   | 0.86                               | 84.4                       | 80.2 | 77.3 | 289.4                      | 2.0                 | 2.3                   | 7.4                 | 365                |
| SGT3-250M-4  | 55                         | 1485                                     | 94.6   | 0.86                               | 103                        | 97.6 | 94.1 | 353.7                      | 2.2                 | 2.3                   | 7.4                 | 445                |
| SGT3-280S-4  | 75                         | 1486                                     | 95.0   | 0.88                               | 136                        | 129  | 125  | 482.0                      | 2.0                 | 2.3                   | 6.9                 | 570                |
| SGT3-280M-4  | 90                         | 1486                                     | 95.2   | 0.88                               | 163                        | 155  | 149  | 578.4                      | 2.0                 | 2.3                   | 6.9                 | 640                |
| SGT3-315S-4  | 110                        | 1488                                     | 95.4   | 0.89                               | 197                        | 187  | 180  | 706.0                      | 2.0                 | 2.2                   | 7.0                 | 940                |
| SGT3-315M-4  | 132                        | 1488                                     | 95.6   | 0.89                               | 236                        | 224  | 216  | 847.2                      | 2.0                 | 2.2                   | 7.0                 | 1035               |
| SGT3-315L1-4 | 160                        | 1488                                     | 95.8   | 0.89                               | 285                        | 271  | 261  | 1027                       | 2.0                 | 2.2                   | 7.1                 | 1130               |
| SGT3-315L2-4 | 200                        | 1490                                     | 96.0   | 0.90                               | 352                        | 334  | 322  | 1282                       | 2.0                 | 2.2                   | 7.1                 | 1240               |
| SGT3-355M-4  | 250                        | 1490                                     | 96.0   | 0.90                               | 440                        | 418  | 403  | 1602                       | 2.0                 | 2.2                   | 7.1                 | 1830               |
| SGT3-355L-4  | 315                        | 1490                                     | 96.0   | 0.90                               | 554                        | 526  | 507  | 2019                       | 2.0                 | 2.2                   | 7.1                 | 1950               |

| IE3 效率 50Hz 产品技术数据 (Technical Data) |                            |  |  |                                    |                            |      |      |                            |                 |                   |                 |                    |
|-------------------------------------|----------------------------|--|--|------------------------------------|----------------------------|------|------|----------------------------|-----------------|-------------------|-----------------|--------------------|
| 型号<br>Type                          | 额定功率<br>Rated Output<br>kW | 额定转速<br>Rated Speed<br>min <sup>-1</sup> | 效率<br>Efficiency<br>$\eta$<br>%<br>(IE3)<br>(能效 2 级) | 功率因数<br>Power factor<br>COS $\phi$ | 额定电流<br>Rated current<br>A |      |      | 额定转矩<br>Rated Torque<br>Nm | 堵转转矩倍数<br>Ts/Tn | 最大转矩倍数<br>Tmax/Tn | 堵转电流倍数<br>Is/In | 重量<br>Weight<br>kg |
|                                     |                            |  |  |                                    | 380                        | 400  | 415  |                            |                 |                   |                 |                    |
| SGT3-801-6                          | 0.37                       | 890                                      | 73.5   | 0.70                               | 1.09                       | 1.04 | 1.00 | 3.97                       | 1.9             | 2.0               | 4.7             | 15.5               |
| SGT3-802-6                          | 0.55                       | 890                                      | 77.2   | 0.72                               | 1.50                       | 1.43 | 1.38 | 5.90                       | 1.9             | 2.1               | 4.7             | 16.5               |
| SGT3-90S-6                          | 0.75                       | 935                                      | 78.9   | 0.71                               | 2.03                       | 1.93 | 1.86 | 7.66                       | 2.0             | 2.1               | 6.0             | 24                 |
| SGT3-90L-6                          | 1.1                        | 945                                      | 81.0   | 0.73                               | 2.83                       | 2.69 | 2.59 | 11.1                       | 2.0             | 2.1               | 6.0             | 26                 |
| SGT3-100L-6                         | 1.5                        | 949                                      | 82.5   | 0.73                               | 3.78                       | 3.59 | 3.47 | 15.1                       | 2.0             | 2.1               | 6.5             | 35                 |
| SGT3-112M-6                         | 2.2                        | 955                                      | 84.3   | 0.74                               | 5.36                       | 5.09 | 4.91 | 22.0                       | 2.0             | 2.1               | 6.6             | 54                 |
| SGT3-132S-6                         | 3                          | 968                                      | 85.6   | 0.74                               | 7.20                       | 6.84 | 6.59 | 29.6                       | 2.0             | 2.1               | 6.8             | 62.5               |
| SGT3-132M1-6                        | 4                          | 968                                      | 86.8   | 0.74                               | 9.46                       | 8.99 | 8.66 | 39.5                       | 2.0             | 2.1               | 6.8             | 75                 |
| SGT3-132M2-6                        | 5.5                        | 968                                      | 88.0   | 0.75                               | 12.7                       | 12.0 | 11.6 | 54.3                       | 2.0             | 2.1               | 7.0             | 82.5               |
| SGT3-160M-6                         | 7.5                        | 970                                      | 89.1   | 0.79                               | 16.2                       | 15.4 | 14.8 | 73.8                       | 2.0             | 2.1               | 7.0             | 112                |
| SGT3-160L-6                         | 11                         | 970                                      | 90.3   | 0.80                               | 23.1                       | 22.0 | 21.2 | 108.3                      | 2.0             | 2.1               | 7.2             | 135                |
| SGT3-180L-6                         | 15                         | 978                                      | 91.2   | 0.81                               | 30.9                       | 29.3 | 28.2 | 146.5                      | 2.0             | 2.1               | 7.3             | 198                |
| SGT3-200L1-6                        | 18.5                       | 980                                      | 91.7   | 0.81                               | 37.8                       | 35.9 | 34.7 | 180.3                      | 2.0             | 2.1               | 7.3             | 235                |
| SGT3-200L2-6                        | 22                         | 980                                      | 92.2   | 0.81                               | 44.8                       | 42.5 | 41.0 | 214.4                      | 2.0             | 2.1               | 7.4             | 252                |
| SGT3-225M-6                         | 30                         | 980                                      | 92.9   | 0.83                               | 59.1                       | 56.2 | 54.1 | 292.3                      | 2.0             | 2.1               | 6.9             | 310                |
| SGT3-250M-6                         | 37                         | 985                                      | 93.3   | 0.84                               | 71.7                       | 68.1 | 65.7 | 358.7                      | 2.0             | 2.1               | 7.1             | 385                |
| SGT3-280S-6                         | 45                         | 985                                      | 93.7   | 0.85                               | 85.8                       | 81.6 | 78.6 | 436.3                      | 2.0             | 2.0               | 7.3             | 500                |
| SGT3-280M-6                         | 55                         | 985                                      | 94.1   | 0.86                               | 103                        | 98.1 | 94.6 | 533.2                      | 2.0             | 2.0               | 7.3             | 575                |
| SGT3-315S-6                         | 75                         | 985                                      | 94.6   | 0.84                               | 143                        | 136  | 131  | 727.2                      | 2.0             | 2.0               | 6.6             | 845                |
| SGT3-315M-6                         | 90                         | 988                                      | 94.9   | 0.85                               | 170                        | 161  | 155  | 869.9                      | 2.0             | 2.0               | 6.7             | 942                |
| SGT3-315L1-6                        | 110                        | 988                                      | 95.1   | 0.85                               | 207                        | 196  | 189  | 1063                       | 2.0             | 2.0               | 6.7             | 1018               |
| SGT3-315L2-6                        | 132                        | 988                                      | 95.4   | 0.86                               | 244                        | 232  | 224  | 1276                       | 2.0             | 2.0               | 6.8             | 1122               |
| SGT3-355M1-6                        | 160                        | 990                                      | 95.6   | 0.86                               | 296                        | 281  | 271  | 1543                       | 1.8             | 2.0               | 6.8             | 1715               |
| SGT3-355M2-6                        | 200                        | 990                                      | 95.8   | 0.87                               | 365                        | 346  | 334  | 1929                       | 1.8             | 2.0               | 6.8             | 1845               |
| SGT3-355L-6                         | 250                        | 990                                      | 95.8   | 0.87                               | 456                        | 433  | 417  | 2412                       | 1.8             | 2.0               | 6.8             | 2090               |

| IE4 效率 50Hz 产品技术数据 (Technical Data) |                            |  |  |                                    |                            |      |      |                            |                 |                   |                 |                    |
|-------------------------------------|----------------------------|--|--|------------------------------------|----------------------------|------|------|----------------------------|-----------------|-------------------|-----------------|--------------------|
| 型号<br>Type                          | 额定功率<br>Rated Output<br>kW | 额定转速<br>Rated Speed<br>min <sup>-1</sup> | 效率<br>Efficiency<br>$\eta$<br>%<br>(IE4)<br>(能效 1 级) | 功率因数<br>Power factor<br>COS $\phi$ | 额定电流<br>Rated current<br>A |      |      | 额定转矩<br>Rated Torque<br>Nm | 堵转转矩倍数<br>Ts/Tn | 最大转矩倍数<br>Tmax/Tn | 堵转电流倍数<br>Is/In | 重量<br>Weight<br>kg |
|                                     |                            |  |  |                                    | 380                        | 400  | 415  |                            |                 |                   |                 |                    |
| SGT4-801-2                          | 0.75                       | 2910                                     | 83.5   | 0.82                               | 1.66                       | 1.58 | 1.52 | 2.46                       | 2.3             | 2.3               | 7.0             | 20                 |



|              |      |      |      |      |      |      |      |       |     |     |     |      |
|--------------|------|------|------|------|------|------|------|-------|-----|-----|-----|------|
| SGT4-802-2   | 1.1  | 2920 | 85.2 | 0.83 | 2.36 | 2.25 | 2.16 | 3.60  | 2.2 | 2.3 | 7.3 | 21   |
| SGT4-90S-2   | 1.5  | 2930 | 86.5 | 0.84 | 3.14 | 2.98 | 2.87 | 4.89  | 2.2 | 2.3 | 7.6 | 24   |
| SGT4-90L-2   | 2.2  | 2930 | 88.0 | 0.85 | 4.47 | 4.25 | 4.09 | 7.17  | 2.2 | 2.3 | 7.6 | 30   |
| SGT4-100L-2  | 3    | 2935 | 89.1 | 0.87 | 5.88 | 5.59 | 5.38 | 9.76  | 2.2 | 2.3 | 7.8 | 37   |
| SGT4-112M-2  | 4    | 2940 | 90.0 | 0.88 | 7.67 | 7.29 | 7.03 | 13.0  | 2.2 | 2.3 | 8.3 | 48   |
| SGT4-132S1-2 | 5.5  | 2945 | 90.9 | 0.88 | 10.4 | 9.9  | 9.57 | 17.8  | 2.0 | 2.3 | 8.3 | 76   |
| SGT4-132S2-2 | 7.5  | 2950 | 91.7 | 0.88 | 14.1 | 13.4 | 12.9 | 24.3  | 2.0 | 2.3 | 7.9 | 85   |
| SGT4-160M1-2 | 11   | 2960 | 92.6 | 0.89 | 20.3 | 19.3 | 18.6 | 35.5  | 2.0 | 2.3 | 8.1 | 133  |
| SGT4-160M2-2 | 15   | 2960 | 93.3 | 0.89 | 27.4 | 26.1 | 25.1 | 48.4  | 2.0 | 2.3 | 8.1 | 146  |
| SGT4-160L-2  | 18.5 | 2960 | 93.7 | 0.89 | 33.7 | 32.0 | 30.9 | 59.7  | 2.0 | 2.3 | 8.2 | 160  |
| SGT4-180M-2  | 22   | 2965 | 94.0 | 0.89 | 40.0 | 38.0 | 36.6 | 70.9  | 2.0 | 2.3 | 8.2 | 221  |
| SGT4-200L1-2 | 30   | 2970 | 94.5 | 0.89 | 54.2 | 51.5 | 49.6 | 96.5  | 2.0 | 2.3 | 7.6 | 260  |
| SGT4-200L2-2 | 37   | 2970 | 94.8 | 0.89 | 66.6 | 63.3 | 61.0 | 119.0 | 2.0 | 2.3 | 7.6 | 309  |
| SGT4-225M-2  | 45   | 2975 | 95.0 | 0.90 | 80.0 | 76.0 | 73.2 | 144.5 | 2.0 | 2.3 | 7.7 | 370  |
| SGT4-250M-2  | 55   | 2975 | 95.3 | 0.90 | 97.4 | 92.6 | 89.2 | 176.6 | 2.0 | 2.3 | 7.7 | 520  |
| SGT4-280S-2  | 75   | 2980 | 95.6 | 0.90 | 132  | 126  | 121  | 240.4 | 1.8 | 2.3 | 7.1 | 570  |
| SGT4-280M-2  | 90   | 2982 | 95.8 | 0.90 | 159  | 151  | 145  | 288.2 | 1.8 | 2.3 | 7.1 | 630  |
| SGT4-315S-2  | 110  | 2980 | 96.0 | 0.90 | 193  | 184  | 177  | 352.5 | 1.8 | 2.3 | 7.1 | 985  |
| SGT4-315M-2  | 132  | 2980 | 96.2 | 0.90 | 232  | 220  | 212  | 423.0 | 1.8 | 2.3 | 7.1 | 1050 |
| SGT4-315L1-2 | 160  | 2980 | 96.3 | 0.91 | 277  | 264  | 254  | 512.8 | 1.8 | 2.3 | 7.2 | 1160 |
| SGT4-315L2-2 | 200  | 2980 | 96.5 | 0.91 | 346  | 329  | 317  | 640.9 | 1.8 | 2.2 | 7.2 | 1200 |
| SGT4-355M-2  | 250  | 2985 | 96.5 | 0.91 | 433  | 411  | 396  | 799.8 | 1.6 | 2.2 | 7.2 | 2050 |
| SGT4-355L-2  | 315  | 2982 | 96.5 | 0.91 | 545  | 518  | 499  | 1009  | 1.6 | 2.2 | 7.2 | 2380 |

| IE4 效率 50Hz 产品技术数据 (Technical Data) |                            |  |  |                                    |                            |      |      |                            |                     |                       |                     |                    |
|-------------------------------------|----------------------------|--|--|------------------------------------|----------------------------|------|------|----------------------------|---------------------|-----------------------|---------------------|--------------------|
| 型号<br>Type                          | 额定功率<br>Rated Output<br>kW | 额定转速<br>Rated Speed<br>min <sup>-1</sup> | 效率<br>Efficiency<br>$\eta$<br>%<br>(IE4)<br>(能效 1 级) | 功率因数<br>Power factor<br>COS $\phi$ | 额定电流<br>Rated current<br>A |      |      | 额定转矩<br>Rated Torque<br>Nm | 堵转转矩<br>倍数<br>Ts/Tn | 最大转矩<br>倍数<br>Tmax/Tn | 堵转电<br>流倍数<br>Is/In | 重量<br>Weight<br>kg |
|                                     |                            |  |  |                                    | 380                        | 400  | 415  |                            |                     |                       |                     |                    |
| SGT4-801-4                          | 0.55                       | 1420                                     | 83.9   | 0.75                               | 1.33                       | 1.26 | 1.22 | 3.70                       | 2.4                 | 2.3                   | 5.2                 | 22                 |
| SGT4-802-4                          | 0.75                       | 1430                                     | 85.7   | 0.75                               | 1.77                       | 1.68 | 1.62 | 5.01                       | 2.3                 | 2.3                   | 6.6                 | 24                 |
| SGT4-90S-4                          | 1.1                        | 1445                                     | 87.2   | 0.76                               | 2.52                       | 2.40 | 2.31 | 7.27                       | 2.3                 | 2.3                   | 6.8                 | 30                 |
| SGT4-90L-4                          | 1.5                        | 1450                                     | 88.2   | 0.77                               | 3.36                       | 3.19 | 3.07 | 9.88                       | 2.3                 | 2.3                   | 7.0                 | 35                 |
| SGT4-100L1-4                        | 2.2                        | 1455                                     | 89.5   | 0.81                               | 4.61                       | 4.38 | 4.22 | 14.4                       | 2.3                 | 2.3                   | 7.6                 | 48                 |
| SGT4-100L2-4                        | 3                          | 1455                                     | 90.4   | 0.82                               | 6.15                       | 5.84 | 5.63 | 19.7                       | 2.3                 | 2.3                   | 7.6                 | 53                 |
| SGT4-112M-4                         | 4                          | 1460                                     | 91.1   | 0.82                               | 8.14                       | 7.73 | 7.45 | 26.2                       | 2.2                 | 2.3                   | 7.8                 | 60                 |
| SGT4-132S-4                         | 5.5                        | 1470                                     | 91.9   | 0.83                               | 11.0                       | 10.4 | 10.0 | 35.7                       | 2.0                 | 2.3                   | 7.9                 | 85                 |
| SGT4-132M-4                         | 7.5                        | 1470                                     | 92.6   | 0.84                               | 14.6                       | 13.9 | 13.4 | 48.7                       | 2.0                 | 2.3                   | 7.5                 | 96                 |
| SGT4-160M-4                         | 11                         | 1475                                     | 93.3   | 0.85                               | 21.1                       | 20.0 | 19.3 | 71.2                       | 2.2                 | 2.3                   | 7.7                 | 150                |
| SGT4-160L-4                         | 15                         | 1475                                     | 93.9   | 0.86                               | 28.2                       | 26.8 | 25.8 | 97.1                       | 2.2                 | 2.3                   | 7.8                 | 160                |

|              |      |      |      |      |      |      |      |       |     |     |     |      |
|--------------|------|------|------|------|------|------|------|-------|-----|-----|-----|------|
| SGT4-180M-4  | 18.5 | 1480 | 94.2 | 0.86 | 34.7 | 33.0 | 31.8 | 119.4 | 2.0 | 2.3 | 7.8 | 181  |
| SGT4-180L-4  | 22   | 1480 | 94.5 | 0.86 | 41.1 | 39.1 | 37.7 | 142.0 | 2.0 | 2.3 | 7.8 | 210  |
| SGT4-200L-4  | 30   | 1480 | 94.9 | 0.86 | 55.8 | 53.1 | 51.1 | 193.6 | 2.0 | 2.3 | 7.3 | 280  |
| SGT4-225S-4  | 37   | 1485 | 95.2 | 0.86 | 68.7 | 65.2 | 62.9 | 237.9 | 2.0 | 2.3 | 7.4 | 373  |
| SGT4-225M-4  | 45   | 1485 | 95.4 | 0.86 | 83.3 | 79.2 | 76.3 | 289.4 | 2.0 | 2.3 | 7.4 | 390  |
| SGT4-250M-4  | 55   | 1485 | 95.7 | 0.86 | 102  | 96.5 | 93.0 | 353.7 | 2.2 | 2.3 | 7.4 | 553  |
| SGT4-280S-4  | 75   | 1490 | 96.0 | 0.88 | 135  | 128  | 124  | 480.7 | 2.0 | 2.3 | 6.9 | 655  |
| SGT4-280M-4  | 90   | 1490 | 96.1 | 0.88 | 162  | 154  | 148  | 576.8 | 2.0 | 2.3 | 6.9 | 730  |
| SGT4-315S-4  | 110  | 1490 | 96.3 | 0.89 | 195  | 185  | 179  | 705.0 | 2.0 | 2.2 | 7.0 | 980  |
| SGT4-315M-4  | 132  | 1490 | 96.4 | 0.89 | 234  | 222  | 214  | 846.0 | 2.0 | 2.2 | 7.0 | 1032 |
| SGT4-315L1-4 | 160  | 1490 | 96.6 | 0.89 | 283  | 269  | 259  | 1026  | 2.0 | 2.2 | 7.1 | 1095 |
| SGT4-315L2-4 | 200  | 1490 | 96.7 | 0.90 | 349  | 332  | 320  | 1282  | 2.0 | 2.2 | 7.1 | 1190 |
| SGT4-355M-4  | 250  | 1490 | 96.7 | 0.90 | 436  | 415  | 400  | 1602  | 2.0 | 2.2 | 7.1 | 1755 |
| SGT4-355L-4  | 315  | 1490 | 96.7 | 0.90 | 550  | 522  | 504  | 2019  | 2.0 | 2.2 | 7.1 | 1960 |

| IE4 效率 50Hz 产品技术数据(Technical Data) |                            |  |  |                                    |                            |      |      |                            |                 |                   |                 |                    |
|------------------------------------|----------------------------|--|--|------------------------------------|----------------------------|------|------|----------------------------|-----------------|-------------------|-----------------|--------------------|
| 型号<br>Type                         | 额定功率<br>Rated Output<br>kW | 额定转速<br>Rated Speed<br>min <sup>-1</sup> | 效率<br>Efficiency<br>$\eta$<br>%<br>(IE4)<br>(能效 1 级) | 功率因数<br>Power factor<br>COS $\phi$ | 额定电流<br>Rated current<br>A |      |      | 额定转矩<br>Rated Torque<br>Nm | 堵转转矩倍数<br>Ts/Tn | 最大转矩倍数<br>Tmax/Tn | 堵转电流倍数<br>Is/In | 重量<br>Weight<br>kg |
|                                    |                            |  |  |                                    | 380                        | 400  | 415  |                            |                 |                   |                 |                    |
| SGT4-801-6                         | 0.37                       | 895                                      | 78.0   | 0.70                               | 1.03                       | 0.98 | 0.94 | 3.95                       | 1.9             | 2.0               | 4.7             | 18                 |
| SGT4-802-6                         | 0.55                       | 895                                      | 80.9   | 0.72                               | 1.43                       | 1.36 | 1.31 | 5.87                       | 1.9             | 2.1               | 4.7             | 20                 |
| SGT4-90S-6                         | 0.75                       | 950                                      | 82.7   | 0.71                               | 1.94                       | 1.84 | 1.78 | 7.54                       | 2.0             | 2.1               | 6.0             | 28                 |
| SGT4-90L-6                         | 1.1                        | 955                                      | 84.5   | 0.73                               | 2.71                       | 2.57 | 2.48 | 11.0                       | 2.0             | 2.1               | 6.0             | 32                 |
| SGT4-100L-6                        | 1.5                        | 960                                      | 85.9   | 0.73                               | 3.63                       | 3.45 | 3.33 | 14.9                       | 2.0             | 2.1               | 6.5             | 41                 |
| SGT4-112M-6                        | 2.2                        | 965                                      | 87.4   | 0.74                               | 5.17                       | 4.91 | 4.73 | 21.8                       | 2.0             | 2.1               | 6.6             | 55                 |
| SGT4-132S-6                        | 3                          | 970                                      | 88.6   | 0.74                               | 6.95                       | 6.60 | 6.37 | 29.5                       | 2.0             | 2.1               | 6.8             | 78                 |
| SGT4-132M1-6                       | 4                          | 975                                      | 89.5   | 0.74                               | 9.18                       | 8.72 | 8.40 | 39.2                       | 2.0             | 2.1               | 6.8             | 90                 |
| SGT4-132M2-6                       | 5.5                        | 975                                      | 90.5   | 0.75                               | 12.3                       | 11.7 | 11.3 | 53.9                       | 2.0             | 2.1               | 7.0             | 102                |
| SGT4-160M-6                        | 7.5                        | 980                                      | 91.3   | 0.79                               | 15.8                       | 15.0 | 14.5 | 73.1                       | 2.0             | 2.1               | 7.0             | 140                |
| SGT4-160L-6                        | 11                         | 980                                      | 92.3   | 0.80                               | 22.6                       | 21.5 | 20.7 | 107.2                      | 2.0             | 2.1               | 7.2             | 160                |
| SGT4-180L-6                        | 15                         | 985                                      | 92.9   | 0.81                               | 30.3                       | 28.8 | 27.7 | 145.4                      | 2.0             | 2.1               | 7.3             | 245                |
| SGT4-200L1-6                       | 18.5                       | 985                                      | 93.4   | 0.81                               | 37.2                       | 35.3 | 34.0 | 179.4                      | 2.0             | 2.1               | 7.3             | 265                |
| SGT4-200L2-6                       | 22                         | 985                                      | 93.7   | 0.81                               | 44.0                       | 41.8 | 40.3 | 213.3                      | 2.0             | 2.1               | 7.4             | 285                |
| SGT4-225M-6                        | 30                         | 990                                      | 94.2   | 0.83                               | 58.3                       | 55.4 | 53.4 | 289.4                      | 2.0             | 2.1               | 6.9             | 336                |
| SGT4-250M-6                        | 37                         | 990                                      | 94.5   | 0.84                               | 70.8                       | 67.3 | 64.8 | 356.9                      | 2.0             | 2.1               | 7.1             | 472                |
| SGT4-280S-6                        | 45                         | 990                                      | 94.8   | 0.85                               | 84.8                       | 80.6 | 77.7 | 434.1                      | 2.0             | 2.0               | 7.3             | 530                |
| SGT4-280M-6                        | 55                         | 990                                      | 95.1   | 0.86                               | 102                        | 97.1 | 93.6 | 530.6                      | 2.0             | 2.0               | 7.3             | 670                |
| SGT4-315S-6                        | 75                         | 990                                      | 95.4   | 0.84                               | 142                        | 135  | 130  | 723.5                      | 2.0             | 2.0               | 6.6             | 960                |

|              |     |     |      |      |     |     |     |       |     |     |     |      |
|--------------|-----|-----|------|------|-----|-----|-----|-------|-----|-----|-----|------|
| SGT4-315M-6  | 90  | 990 | 95.6 | 0.85 | 168 | 160 | 154 | 868.2 | 2.0 | 2.0 | 6.7 | 1070 |
| SGT4-315L1-6 | 110 | 990 | 95.8 | 0.85 | 205 | 195 | 188 | 1061  | 2.0 | 2.0 | 6.7 | 1165 |
| SGT4-315L2-6 | 132 | 990 | 96.0 | 0.86 | 243 | 231 | 222 | 1273  | 2.0 | 2.0 | 6.8 | 1260 |
| SGT4-355M1-6 | 160 | 990 | 96.2 | 0.86 | 294 | 279 | 269 | 1543  | 1.8 | 2.0 | 6.8 | 1790 |
| SGT4-355M2-6 | 200 | 990 | 96.3 | 0.87 | 363 | 345 | 332 | 1929  | 1.8 | 2.0 | 6.8 | 1910 |
| SGT4-355L-6  | 250 | 990 | 96.5 | 0.87 | 452 | 430 | 414 | 2412  | 1.8 | 2.0 | 6.8 | 2100 |

IE4 效率 50Hz 产品技术数据(Technical Data)

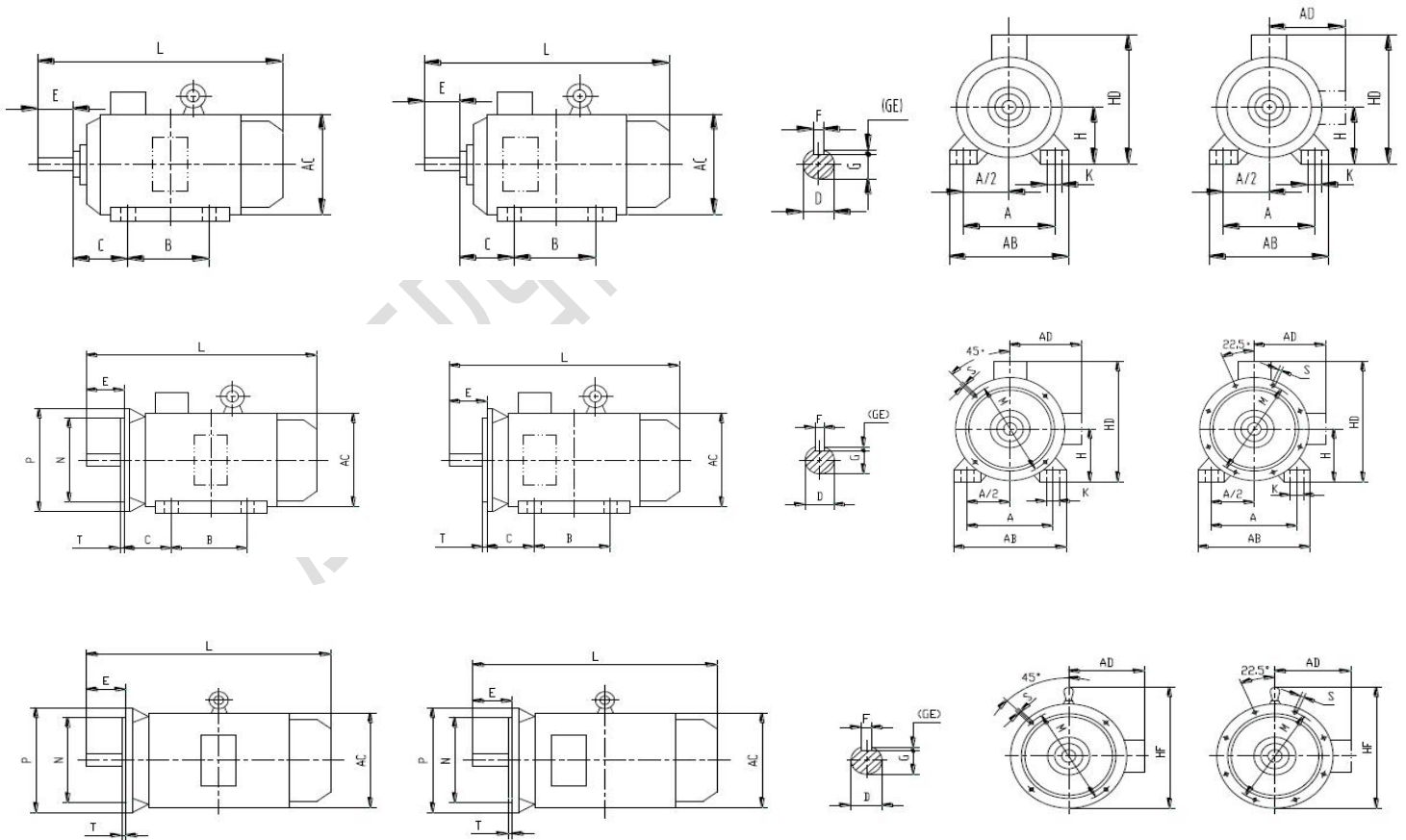
| 型号<br>Type   | 额定功率<br>Rated Output<br>kW | 额定转速<br>Rated Speed<br>min <sup>-1</sup> | 效率<br>Efficiency<br>$\eta$<br>%<br>(IE4)<br>(能效1级) | 功率因数<br>Power factor<br>COS $\phi$ | 额定电流<br>Rated current<br>A |      |      | 额定转矩<br>Rated Torque<br>Nm | 堵转转矩倍数<br>Ts/Tn | 最大转矩倍数<br>Tmax/Tn | 堵转电流倍数<br>Is/In | 重量<br>Weight<br>kg |
|--------------|----------------------------|--|--|------------------------------------|----------------------------|------|------|----------------------------|-----------------|-------------------|-----------------|--------------------|
|              |                            |  |  |                                    | 380                        | 400  | 415  |                            |                 |                   |                 |                    |
| SGT4-801-8   | 0.18                       | 655                                      | 67.2   | 0.61                               | 0.67                       | 0.63 | 0.61 | 2.62                       | 1.8             | 1.9               | 3.3             | 18                 |
| SGT4-802-8   | 0.25                       | 655                                      | 70.8   | 0.61                               | 0.88                       | 0.84 | 0.81 | 3.65                       | 1.8             | 1.9               | 3.3             | 20                 |
| SGT4-90S-8   | 0.37                       | 680                                      | 74.3   | 0.61                               | 1.24                       | 1.18 | 1.14 | 5.20                       | 1.8             | 1.9               | 4.0             | 34                 |
| SGT4-90L-8   | 0.55                       | 680                                      | 77.0   | 0.61                               | 1.78                       | 1.69 | 1.63 | 7.72                       | 1.8             | 2.0               | 4.0             | 36                 |
| SGT4-100L1-8 | 0.75                       | 700                                      | 78.4   | 0.67                               | 2.17                       | 2.06 | 1.99 | 10.2                       | 1.8             | 2.0               | 4.0             | 40                 |
| SGT4-100L2-8 | 1.1                        | 700                                      | 80.8   | 0.69                               | 3.00                       | 2.85 | 2.74 | 15.0                       | 1.8             | 2.0               | 5.0             | 45                 |
| SGT4-112M-8  | 1.5                        | 710                                      | 82.6   | 0.70                               | 3.94                       | 3.74 | 3.61 | 20.2                       | 1.8             | 2.0               | 5.0             | 52                 |
| SGT4-132S-8  | 2.2                        | 720                                      | 84.5   | 0.71                               | 5.57                       | 5.29 | 5.10 | 29.2                       | 1.8             | 2.0               | 6.0             | 80                 |
| SGT4-132M-8  | 3                          | 720                                      | 85.9   | 0.73                               | 7.27                       | 6.91 | 6.66 | 39.8                       | 1.8             | 2.0               | 6.0             | 88                 |
| SGT4-160M1-8 | 4                          | 730                                      | 87.1   | 0.73                               | 9.56                       | 9.08 | 8.75 | 52.3                       | 1.9             | 2.0               | 6.0             | 140                |
| SGT4-160M2-8 | 5.5                        | 730                                      | 88.3   | 0.74                               | 12.8                       | 12.1 | 11.7 | 72.0                       | 1.9             | 2.0               | 6.0             | 150                |
| SGT4-160L-8  | 7.5                        | 730                                      | 89.3   | 0.75                               | 17.0                       | 16.2 | 15.6 | 98.1                       | 1.9             | 2.0               | 6.0             | 170                |
| SGT4-180L-8  | 11                         | 735                                      | 90.4   | 0.75                               | 24.7                       | 23.4 | 22.6 | 142.9                      | 2.0             | 2.0               | 6.5             | 232                |
| SGT4-200L-8  | 15                         | 735                                      | 91.2   | 0.76                               | 32.9                       | 31.2 | 30.1 | 194.9                      | 2.0             | 2.0               | 6.6             | 280                |
| SGT4-225S-8  | 18.5                       | 735                                      | 91.7   | 0.76                               | 40.3                       | 38.2 | 36.9 | 240.4                      | 1.9             | 2.0               | 6.6             | 305                |
| SGT4-225M-8  | 22                         | 735                                      | 92.1   | 0.78                               | 46.5                       | 44.2 | 42.6 | 285.9                      | 1.9             | 2.0               | 6.6             | 335                |
| SGT4-250M-8  | 30                         | 735                                      | 92.7   | 0.79                               | 62.2                       | 59.1 | 57.0 | 389.8                      | 1.9             | 2.0               | 6.5             | 400                |
| SGT4-280S-8  | 37                         | 740                                      | 93.1   | 0.79                               | 76.4                       | 72.6 | 70.0 | 477.5                      | 1.9             | 2.0               | 6.6             | 525                |
| SGT4-280M-8  | 45                         | 740                                      | 93.4   | 0.79                               | 92.7                       | 88.0 | 84.8 | 580.7                      | 1.9             | 2.0               | 6.6             | 600                |
| SGT4-315S-8  | 55                         | 740                                      | 93.7   | 0.81                               | 110                        | 105  | 101  | 709.8                      | 1.8             | 2.0               | 6.6             | 1010               |
| SGT4-315M-8  | 75                         | 740                                      | 94.2   | 0.81                               | 149                        | 142  | 137  | 967.9                      | 1.8             | 2.0               | 6.2             | 1150               |
| SGT4-315L1-8 | 90                         | 740                                      | 94.4   | 0.82                               | 177                        | 168  | 162  | 1161                       | 1.8             | 2.0               | 6.4             | 1175               |
| SGT4-315L2-8 | 110                        | 740                                      | 94.7   | 0.82                               | 215                        | 204  | 197  | 1420                       | 1.8             | 2.0               | 6.4             | 1215               |
| SGT4-355M1-8 | 132                        | 740                                      | 94.9   | 0.82                               | 258                        | 245  | 236  | 1704                       | 1.8             | 2.0               | 6.4             | 2060               |
| SGT4-355M2-8 | 160                        | 740                                      | 95.1   | 0.82                               | 312                        | 296  | 285  | 2065                       | 1.8             | 2.0               | 6.4             | 2210               |
| SGT4-355L-8  | 200                        | 740                                      | 95.4   | 0.83                               | 384                        | 365  | 351  | 2581                       | 1.8             | 2.0               | 6.4             | 2350               |

SGY1-IE1 三相异步电动机外形及安装尺寸 SGY1-IE1 Three-phase asynchronous motor overall and mounting dimension

| 机座号<br>Frame size | 安装尺寸<br>(Mounting dimension) |     |     |    |     |    |      |     |       | B5 安装方式<br>Mounting dimension for<br>B5(V1\V3) |     |     |      |     |
|-------------------|------------------------------|-----|-----|----|-----|----|------|-----|-------|--|-----|-----|------|-----|
|                   | A                            | B   | C   | D  | E   | F  | G    | H   | K     | M  | N   | P   | S    | T   |
| 63                | 100                          | 80  | 40  | 11 | 23  | 4  | 8.5  | 63  | 7X9.5 | 115  | 95  | 140 | 10   | 3   |
| 71                | 112                          | 90  | 45  | 14 | 30  | 5  | 11   | 71  | 7X11  | 130  | 110 | 160 | 10   | 3.5 |
| 80                | 125                          | 100 | 50  | 19 | 40  | 6  | 15.5 | 80  | 10X14 | 165  | 130 | 200 | 12   | 3.5 |
| 90S               | 140                          | 100 | 56  | 24 | 50  | 8  | 20   | 90  | 10X14 | 165  | 130 | 200 | 12   | 3.5 |
| 90L               | 140                          | 125 | 56  | 24 | 50  | 8  | 20   | 90  | 10X14 | 165  | 130 | 200 | 12   | 3.5 |
| 100L              | 160                          | 140 | 63  | 28 | 60  | 8  | 24   | 100 | 12X16 | 215  | 180 | 250 | 14.5 | 4   |
| 112M              | 190                          | 140 | 70  | 28 | 60  | 8  | 24   | 112 | 12X16 | 215  | 180 | 250 | 14.5 | 4   |
| 132S              | 216                          | 140 | 89  | 38 | 80  | 10 | 33   | 132 | 12X16 | 265  | 230 | 300 | 14.5 | 4   |
| 132M              | 216                          | 178 | 89  | 38 | 80  | 10 | 33   | 132 | 12X16 | 265  | 230 | 300 | 14.5 | 4   |
| 160M              | 254                          | 210 | 108 | 42 | 110 | 12 | 37   | 160 | 15X18 | 300  | 250 | 350 | 18.5 | 5   |
| 160L              | 254                          | 254 | 108 | 42 | 110 | 12 | 37   | 160 | 15X18 | 300  | 250 | 350 | 18.5 | 5   |

| 机座号<br>Frame size | B14A 安装方式<br>Mounting Dimension for<br>B14B(V18\V19) |    |    |    |     | B14B 安装方式<br>Mounting Dimension for<br>B14B(V18\V19) |    |     |    |   | 外形尺寸<br>Overall dimension |     |     |     |     |     |
|-------------------|--|----|----|----|-----|--|----|-----|----|---|---------------------------|-----|-----|-----|-----|-----|
|                   | M  | N  | P  | S  | T   | M  | N  | P   | S  | T | AB                        | AC  | AD  | BB  | HD  | L   |
| 63                | 75   | 60 | 90 | M5 | 2.5 | 100  | 80 | 120 | M6 | 3 | 123                       | 120 | 102 | 100 | 165 | 218 |

|      |     |     |     |     |     |     |     |     |     |     |     |     |     |     |     |     |
|------|-----|-----|-----|-----|-----|-----|-----|-----|-----|-----|-----|-----|-----|-----|-----|-----|
| 71   | 85  | 70  | 105 | M6  | 2.5 | 115 | 95  | 140 | M8  | 3   | 138 | 136 | 109 | 110 | 180 | 245 |
| 80   | 100 | 80  | 120 | M6  | 3   | 130 | 110 | 160 | M8  | 3.5 | 157 | 155 | 124 | 125 | 205 | 285 |
| 90S  | 115 | 95  | 140 | M8  | 3   | 130 | 110 | 160 | M8  | 3.5 | 173 | 175 | 137 | 125 | 228 | 310 |
| 90L  | 115 | 95  | 140 | M8  | 3   | 130 | 110 | 160 | M8  | 3.5 | 173 | 175 | 137 | 150 | 228 | 335 |
| 100L | 130 | 110 | 160 | M8  | 3.5 | 165 | 130 | 200 | M10 | 3.5 | 196 | 195 | 151 | 172 | 250 | 385 |
| 112M | 130 | 110 | 160 | M8  | 3.5 | 165 | 130 | 200 | M10 | 3.5 | 227 | 219 | 169 | 180 | 280 | 405 |
| 132S | 165 | 130 | 200 | M10 | 3.5 | 215 | 180 | 250 | M12 | 4   | 262 | 258 | 188 | 186 | 320 | 475 |
| 132M | 165 | 130 | 200 | M10 | 3.5 | 215 | 180 | 250 | M12 | 4   | 262 | 258 | 188 | 224 | 320 | 515 |
| 160M | 215 | 180 | 250 | M12 | 4   | 265 | 230 | 300 | M12 | 4   | 304 | 315 | 242 | 260 | 405 | 610 |
| 160L | 215 | 180 | 250 | M12 | 4   | 265 | 230 | 300 | M12 | 4   | 304 | 315 | 242 | 304 | 405 | 655 |

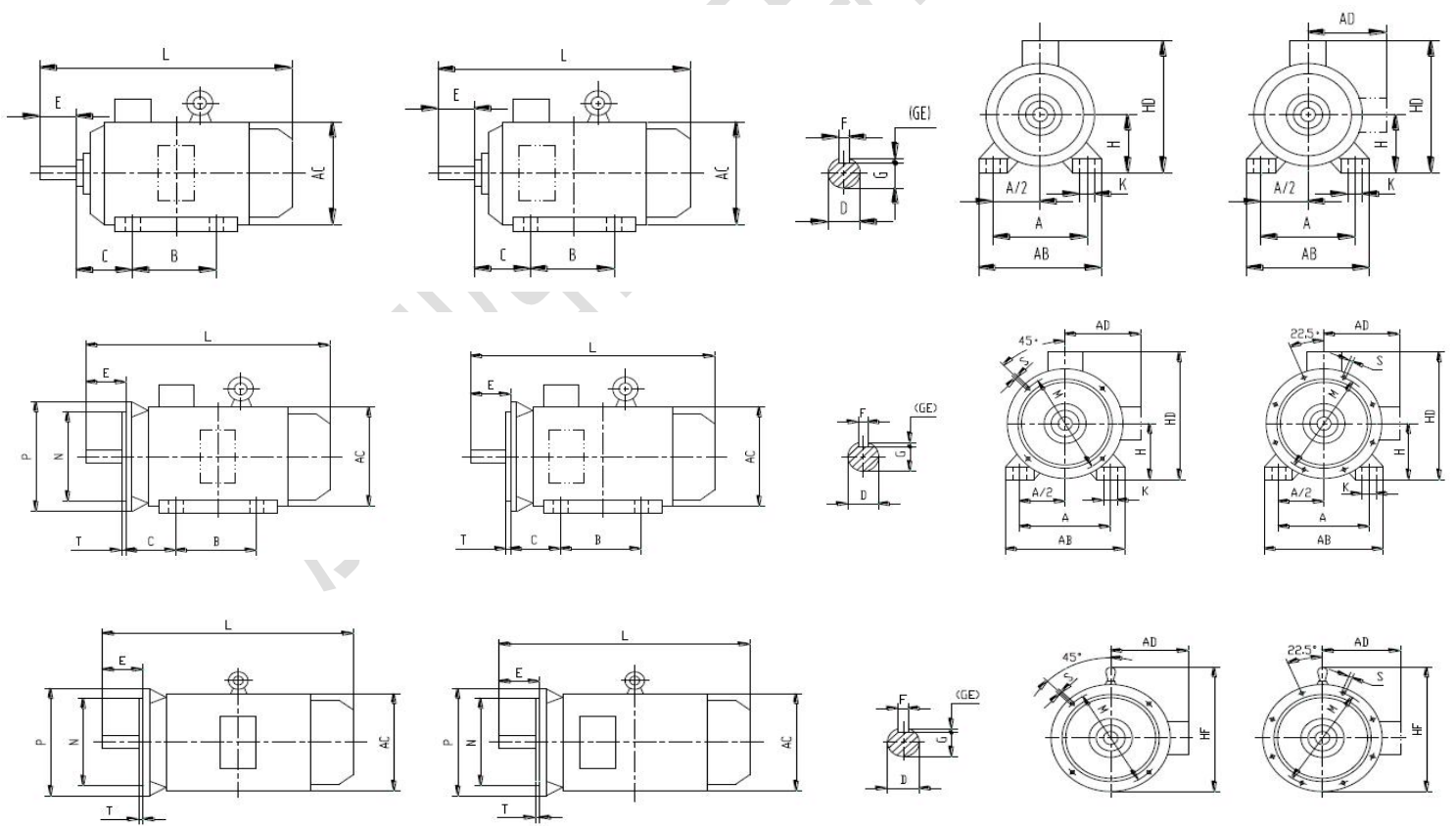


SGY2-IE2 三相异步电动机外形及安装尺寸 SGY2-IE2 Three-phase asynchronous motor overall and mounting dimension

| 机座号<br>Frame size | 安装尺寸<br>(Mounting dimension) |     |     |    |     |    |      |     |       | B5 安装方式<br>Mounting dimension for<br>B5(V1\V3) |     |     |      |     |
|-------------------|------------------------------|-----|-----|----|-----|----|------|-----|-------|--|-----|-----|------|-----|
|                   | A                            | B   | C   | D  | E   | F  | G    | H   | K     | M  | N   | P   | S    | T   |
| 63                | 100                          | 80  | 40  | 11 | 23  | 4  | 8.5  | 63  | 7X9.5 | 115  | 95  | 140 | 10   | 3   |
| 71                | 112                          | 90  | 45  | 14 | 30  | 5  | 11   | 71  | 7X11  | 130  | 110 | 160 | 10   | 3.5 |
| 80                | 125                          | 100 | 50  | 19 | 40  | 6  | 15.5 | 80  | 10X14 | 165  | 130 | 200 | 12   | 3.5 |
| 90S               | 140                          | 100 | 56  | 24 | 50  | 8  | 20   | 90  | 10X14 | 165  | 130 | 200 | 12   | 3.5 |
| 90L               | 140                          | 125 | 56  | 24 | 50  | 8  | 20   | 90  | 10X14 | 165  | 130 | 200 | 12   | 3.5 |
| 100L              | 160                          | 140 | 63  | 28 | 60  | 8  | 24   | 100 | 12X16 | 215  | 180 | 250 | 14.5 | 4   |
| 112M              | 190                          | 140 | 70  | 28 | 60  | 8  | 24   | 112 | 12X16 | 215  | 180 | 250 | 14.5 | 4   |
| 132S              | 216                          | 140 | 89  | 38 | 80  | 10 | 33   | 132 | 12X16 | 265  | 230 | 300 | 14.5 | 4   |
| 132M              | 216                          | 178 | 89  | 38 | 80  | 10 | 33   | 132 | 12X16 | 265  | 230 | 300 | 14.5 | 4   |
| 160M              | 254                          | 210 | 108 | 42 | 110 | 12 | 37   | 160 | 15X18 | 300  | 250 | 350 | 18.5 | 5   |
| 160L              | 254                          | 254 | 108 | 42 | 110 | 12 | 37   | 160 | 15X18 | 300  | 250 | 350 | 18.5 | 5   |

| 机座号<br>Frame size | B14A 安装方式<br>Mounting Dimension for<br>B14B(V18\V19) |    |    |    |     | B14B 安装方式<br>Mounting Dimension for<br>B14B(V18\V19) |    |     |    |   | 外形尺寸<br>Overall dimension |     |     |     |     |     |
|-------------------|--|----|----|----|-----|--|----|-----|----|---|---------------------------|-----|-----|-----|-----|-----|
|                   | M  | N  | P  | S  | T   | M  | N  | P   | S  | T | AB                        | AC  | AD  | BB  | HD  | L   |
| 63                | 75   | 60 | 90 | M5 | 2.5 | 100  | 80 | 120 | M6 | 3 | 123                       | 120 | 102 | 100 | 165 | 218 |

|      |     |     |     |     |     |     |     |     |     |     |     |     |     |     |     |     |
|------|-----|-----|-----|-----|-----|-----|-----|-----|-----|-----|-----|-----|-----|-----|-----|-----|
| 71   | 85  | 70  | 105 | M6  | 2.5 | 115 | 95  | 140 | M8  | 3   | 138 | 136 | 109 | 110 | 180 | 245 |
| 80   | 100 | 80  | 120 | M6  | 3   | 130 | 110 | 160 | M8  | 3.5 | 157 | 155 | 124 | 125 | 205 | 285 |
| 90S  | 115 | 95  | 140 | M8  | 3   | 130 | 110 | 160 | M8  | 3.5 | 173 | 175 | 137 | 125 | 228 | 310 |
| 90L  | 115 | 95  | 140 | M8  | 3   | 130 | 110 | 160 | M8  | 3.5 | 173 | 175 | 137 | 150 | 228 | 335 |
| 100L | 130 | 110 | 160 | M8  | 3.5 | 165 | 130 | 200 | M10 | 3.5 | 196 | 195 | 151 | 172 | 250 | 385 |
| 112M | 130 | 110 | 160 | M8  | 3.5 | 165 | 130 | 200 | M10 | 3.5 | 227 | 219 | 169 | 180 | 280 | 405 |
| 132S | 165 | 130 | 200 | M10 | 3.5 | 215 | 180 | 250 | M12 | 4   | 262 | 258 | 188 | 186 | 320 | 475 |
| 132M | 165 | 130 | 200 | M10 | 3.5 | 215 | 180 | 250 | M12 | 4   | 262 | 258 | 188 | 224 | 320 | 515 |
| 160M | 215 | 180 | 250 | M12 | 4   | 265 | 230 | 300 | M12 | 4   | 304 | 315 | 242 | 260 | 405 | 610 |
| 160L | 215 | 180 | 250 | M12 | 4   | 265 | 230 | 300 | M12 | 4   | 304 | 315 | 242 | 304 | 405 | 655 |



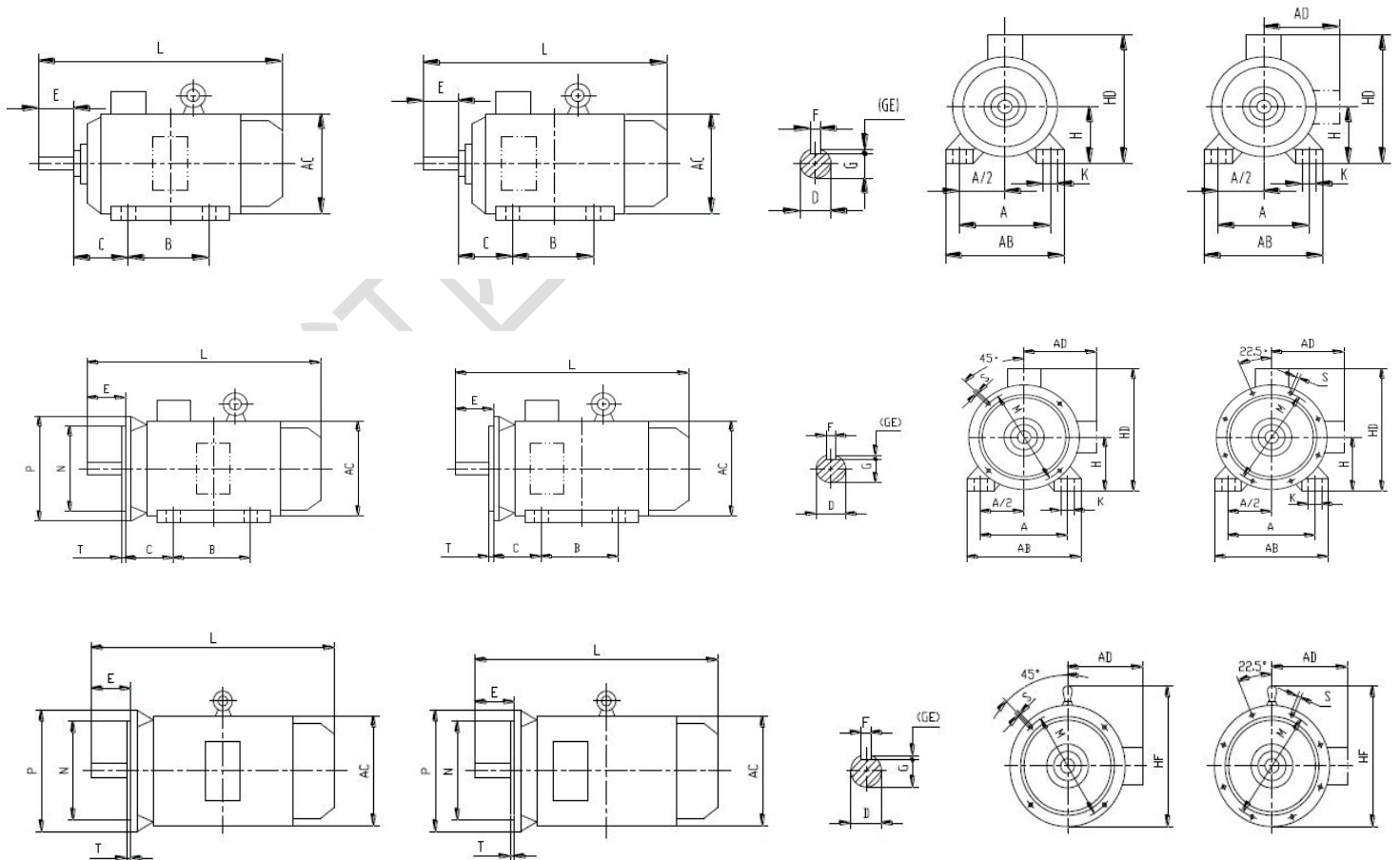
SGY3-IE3 三相异步电动机外形及安装尺寸 SGY3-IE3 Three-phase asynchronous motor overall and mounting dimension

| 机座号<br>Frame size | 安装尺寸<br>(Mounting dimension) |     |     |    |     |    |      |     |       | B5 安装方式<br>Mounting dimension for<br>B5(V1\V3) |     |     |      |     |
|-------------------|------------------------------|-----|-----|----|-----|----|------|-----|-------|--|-----|-----|------|-----|
|                   | A                            | B   | C   | D  | E   | F  | G    | H   | K     | M  | N   | P   | S    | T   |
| 63                | 100                          | 80  | 40  | 11 | 23  | 4  | 8.5  | 63  | 7X9.5 | 115  | 95  | 140 | 10   | 3   |
| 71                | 112                          | 90  | 45  | 14 | 30  | 5  | 11   | 71  | 7X11  | 130  | 110 | 160 | 10   | 3.5 |
| 80                | 125                          | 100 | 50  | 19 | 40  | 6  | 15.5 | 80  | 10X14 | 165  | 130 | 200 | 12   | 3.5 |
| 90S               | 140                          | 100 | 56  | 24 | 50  | 8  | 20   | 90  | 10X14 | 165  | 130 | 200 | 12   | 3.5 |
| 90L               | 140                          | 125 | 56  | 24 | 50  | 8  | 20   | 90  | 10X14 | 165  | 130 | 200 | 12   | 3.5 |
| 100L              | 160                          | 140 | 63  | 28 | 60  | 8  | 24   | 100 | 12X16 | 215  | 180 | 250 | 14.5 | 4   |
| 112M              | 190                          | 140 | 70  | 28 | 60  | 8  | 24   | 112 | 12X16 | 215  | 180 | 250 | 14.5 | 4   |
| 132S              | 216                          | 140 | 89  | 38 | 80  | 10 | 33   | 132 | 12X16 | 265  | 230 | 300 | 14.5 | 4   |
| 132M              | 216                          | 178 | 89  | 38 | 80  | 10 | 33   | 132 | 12X16 | 265  | 230 | 300 | 14.5 | 4   |
| 160M              | 254                          | 210 | 108 | 42 | 110 | 12 | 37   | 160 | 15X18 | 300  | 250 | 350 | 18.5 | 5   |
| 160L              | 254                          | 254 | 108 | 42 | 110 | 12 | 37   | 160 | 15X18 | 300  | 250 | 350 | 18.5 | 5   |

| 机座号<br>Frame size | B14A 安装方式<br>Mounting Dimension for<br>B14B(V18\V19) |    |    |    |     | B14B 安装方式<br>Mounting Dimension for<br>B14B(V18\V19) |    |     |    |   | 外形尺寸<br>Overall dimension |     |     |     |     |     |
|-------------------|--|----|----|----|-----|--|----|-----|----|---|---------------------------|-----|-----|-----|-----|-----|
|                   | M  | N  | P  | S  | T   | M  | N  | P   | S  | T | AB                        | AC  | AD  | BB  | HD  | L   |
| 63                | 75   | 60 | 90 | M5 | 2.5 | 100  | 80 | 120 | M6 | 3 | 123                       | 120 | 102 | 100 | 165 | 218 |

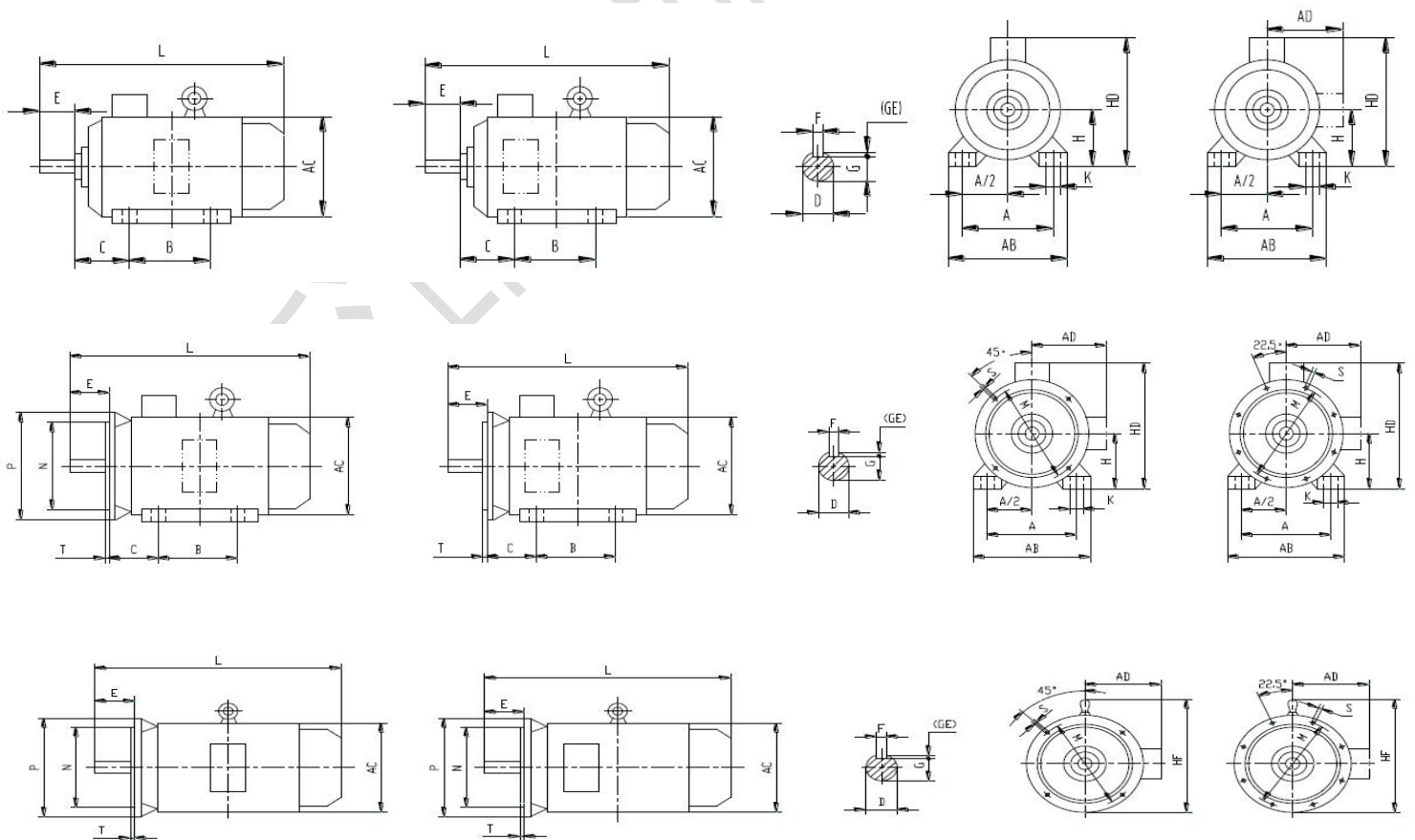


|      |     |     |     |     |     |     |     |     |     |     |     |     |     |     |     |     |
|------|-----|-----|-----|-----|-----|-----|-----|-----|-----|-----|-----|-----|-----|-----|-----|-----|
| 71   | 85  | 70  | 105 | M6  | 2.5 | 115 | 95  | 140 | M8  | 3   | 138 | 136 | 109 | 110 | 180 | 245 |
| 80   | 100 | 80  | 120 | M6  | 3   | 130 | 110 | 160 | M8  | 3.5 | 157 | 158 | 129 | 125 | 209 | 290 |
| 90S  | 115 | 95  | 140 | M8  | 3   | 130 | 110 | 160 | M8  | 3.5 | 173 | 175 | 140 | 125 | 230 | 325 |
| 90L  | 115 | 95  | 140 | M8  | 3   | 130 | 110 | 160 | M8  | 3.5 | 173 | 175 | 140 | 150 | 230 | 350 |
| 100L | 130 | 110 | 160 | M8  | 3.5 | 165 | 130 | 200 | M10 | 3.5 | 196 | 198 | 156 | 172 | 256 | 400 |
| 112M | 130 | 110 | 160 | M8  | 3.5 | 165 | 130 | 200 | M10 | 3.5 | 227 | 219 | 166 | 180 | 278 | 450 |
| 132S | 165 | 130 | 200 | M10 | 3.5 | 215 | 180 | 250 | M12 | 4   | 262 | 258 | 188 | 186 | 320 | 475 |
| 132M | 165 | 130 | 200 | M10 | 3.5 | 215 | 180 | 250 | M12 | 4   | 262 | 258 | 188 | 224 | 320 | 515 |
| 160M | 215 | 180 | 250 | M12 | 4   | 265 | 230 | 300 | M12 | 4   | 304 | 315 | 242 | 260 | 402 | 610 |
| 160L | 215 | 180 | 250 | M12 | 4   | 265 | 230 | 300 | M12 | 4   | 304 | 315 | 242 | 304 | 402 | 655 |





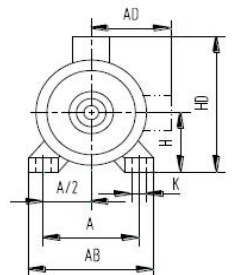
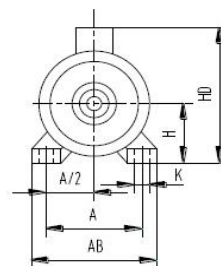
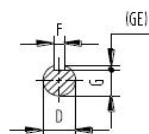
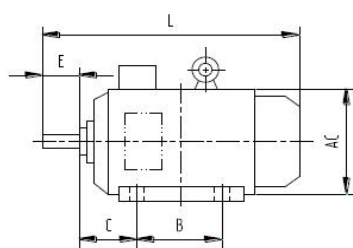
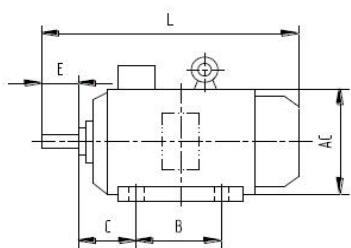
|      |     |     |     |     |     |     |     |     |     |     |     |     |     |     |     |     |
|------|-----|-----|-----|-----|-----|-----|-----|-----|-----|-----|-----|-----|-----|-----|-----|-----|
| 63   | 75  | 60  | 90  | M5  | 2.5 | 100 | 80  | 120 | M6  | 3   | 123 | 120 | 102 | 100 | 165 | 218 |
| 71   | 85  | 70  | 105 | M6  | 2.5 | 115 | 95  | 140 | M8  | 3   | 138 | 136 | 109 | 110 | 180 | 245 |
| 80   | 100 | 80  | 120 | M6  | 3   | 130 | 110 | 160 | M8  | 3.5 | 157 | 158 | 129 | 125 | 209 | 290 |
| 90S  | 115 | 95  | 140 | M8  | 3   | 130 | 110 | 160 | M8  | 3.5 | 173 | 175 | 140 | 125 | 230 | 325 |
| 90L  | 115 | 95  | 140 | M8  | 3   | 130 | 110 | 160 | M8  | 3.5 | 173 | 175 | 140 | 150 | 230 | 350 |
| 100L | 130 | 110 | 160 | M8  | 3.5 | 165 | 130 | 200 | M10 | 3.5 | 196 | 198 | 156 | 172 | 256 | 400 |
| 112M | 130 | 110 | 160 | M8  | 3.5 | 165 | 130 | 200 | M10 | 3.5 | 227 | 219 | 166 | 180 | 278 | 450 |
| 132S | 165 | 130 | 200 | M10 | 3.5 | 215 | 180 | 250 | M12 | 4   | 262 | 258 | 188 | 186 | 320 | 475 |
| 132M | 165 | 130 | 200 | M10 | 3.5 | 215 | 180 | 250 | M12 | 4   | 262 | 258 | 188 | 224 | 320 | 515 |
| 160M | 215 | 180 | 250 | M12 | 4   | 265 | 230 | 300 | M12 | 4   | 304 | 315 | 242 | 260 | 402 | 610 |
| 160L | 215 | 180 | 250 | M12 | 4   | 265 | 230 | 300 | M12 | 4   | 304 | 315 | 242 | 304 | 402 | 655 |

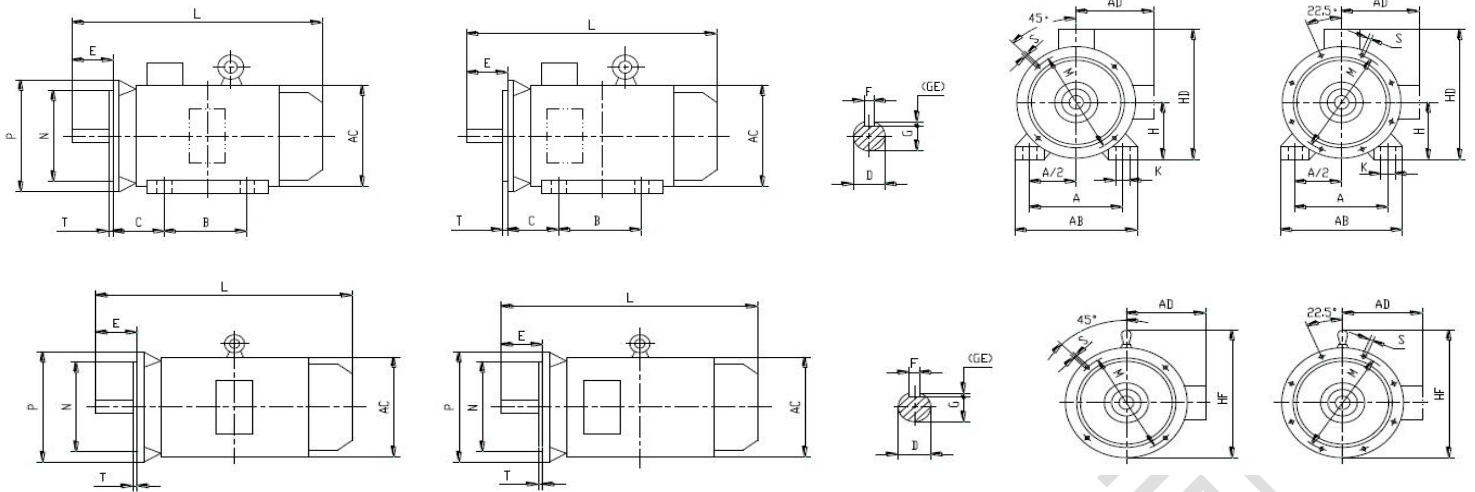


SGT1-IE1 三相异步电动机外形及安装尺寸 SGT1-IE1 Three-phase asynchronous motor overall and mounting dimension

| 机座号<br>Frame size | 极数<br>Pole | 安装尺寸<br>(Mounting dimension) |     |     |    |     |    |      |     |         | B5 安装方式<br>Mounting dimension for B5(V1\V3) |     |     |      |     | 外形尺寸<br>Overall dimension |       |     |     |     |     |
|-------------------|------------|------------------------------|-----|-----|----|-----|----|------|-----|---------|---|-----|-----|------|-----|---------------------------|-------|-----|-----|-----|-----|
|                   |            | A                            | B   | C   | D  | E   | F  | G    | H   | K       | M   | N   | P   | S    | T   | AB                        | AC    | AD  | BB  | HD  | L   |
| 63                | 2, 4, 6    | 100                          | 80  | 40  | 11 | 23  | 4  | 8.5  | 63  | 4-Φ7    | 115   | 95  | 140 | 10   | 3   | 130                       | 120   | 113 | 110 | 175 | 220 |
| 71                | 2, 4, 6    | 112                          | 90  | 45  | 14 | 30  | 5  | 11   | 71  | 4-Φ7    | 130   | 110 | 160 | 10   | 3.5 | 144                       | 136   | 119 | 120 | 190 | 245 |
| 80                | 2, 4, 6, 8 | 125                          | 100 | 50  | 19 | 40  | 6  | 15.5 | 80  | 4-Φ10   | 165   | 130 | 200 | 12   | 3.5 | 160                       | 155.4 | 131 | 130 | 210 | 285 |
| 90S               | 2, 4, 6, 8 | 140                          | 100 | 56  | 24 | 50  | 8  | 20   | 90  | 4-Φ10   | 165   | 130 | 200 | 12   | 3.5 | 176                       | 175.4 | 148 | 130 | 240 | 310 |
| 90L               | 2, 4, 6, 8 | 140                          | 125 | 56  | 24 | 50  | 8  | 20   | 90  | 4-Φ10   | 165   | 130 | 200 | 12   | 3.5 | 176                       | 175.4 | 148 | 155 | 240 | 335 |
| 100L              | 2, 4, 6, 8 | 160                          | 140 | 63  | 28 | 60  | 8  | 24   | 100 | 4-Φ12   | 215   | 180 | 250 | 14.5 | 4   | 200                       | 195.4 | 162 | 176 | 260 | 380 |
| 112M              | 2, 4, 6, 8 | 190                          | 140 | 70  | 28 | 60  | 8  | 24   | 112 | 4-Φ12   | 215   | 180 | 250 | 14.5 | 4   | 226                       | 219.4 | 183 | 180 | 295 | 395 |
| 132S              | 2, 4, 6, 8 | 216                          | 140 | 89  | 38 | 80  | 10 | 33   | 132 | 4-Φ12   | 265   | 230 | 300 | 14.5 | 4   | 262                       | 258.4 | 203 | 200 | 335 | 470 |
| 132M              | 4, 6, 8    | 216                          | 178 | 89  | 38 | 80  | 10 | 33   | 132 | 4-Φ12   | 265   | 230 | 300 | 14.5 | 4   | 262                       | 258.4 | 203 | 238 | 335 | 510 |
| 160M              | 2, 4, 6, 8 | 254                          | 210 | 108 | 42 | 110 | 12 | 37   | 160 | 4-Φ14.5 | 300   | 250 | 350 | 18.5 | 5   | 314                       | 314   | 251 | 260 | 412 | 610 |
| 160L              | 2, 4, 6, 8 | 254                          | 254 | 108 | 42 | 110 | 12 | 37   | 160 | 4-Φ14.5 | 300   | 250 | 350 | 18.5 | 5   | 314                       | 314   | 251 | 304 | 412 | 655 |
| 180M              | 2, 4, 8    | 279                          | 241 | 121 | 48 | 110 | 14 | 42.5 | 180 | 4-Φ14.5 | 300   | 250 | 350 | 18.5 | 5   | 349                       | 355   | 267 | 311 | 448 | 690 |
| 180L              | 4, 6, 8    | 279                          | 279 | 121 | 48 | 110 | 14 | 42.5 | 180 | 4-Φ14.5 | 300   | 250 | 350 | 18.5 | 5   | 349                       | 355   | 267 | 349 | 448 | 725 |
| 200L              | 2, 4, 6, 8 | 318                          | 305 | 133 | 55 | 110 | 16 | 49   | 200 | 4-Φ16.5 | 350   | 300 | 400 | 18.5 | 5   | 388                       | 397   | 299 | 369 | 500 | 770 |
| 225S              | 4, 8       | 356                          | 286 | 149 | 60 | 140 | 18 | 53   | 225 | 4-Φ18.5 | 400   | 350 | 450 | 18.5 | 5   | 431                       | 446   | 322 | 368 | 550 | 825 |

|      |             |     |     |     |    |     |    |      |     |         |     |     |     |      |   |     |     |     |     |      |      |
|------|-------------|-----|-----|-----|----|-----|----|------|-----|---------|-----|-----|-----|------|---|-----|-----|-----|-----|------|------|
| 225M | 2           | 356 | 311 | 149 | 55 | 110 | 16 | 49   | 225 | 4-Φ18.5 | 400 | 350 | 450 | 18.5 | 5 | 431 | 446 | 322 | 393 | 550  | 820  |
| 225M | 4, 6, 8     | 356 | 311 | 149 | 60 | 140 | 18 | 53   | 225 | 4-Φ18.5 | 400 | 350 | 450 | 18.5 | 5 | 431 | 446 | 322 | 393 | 550  | 850  |
| 250M | 2           | 406 | 349 | 168 | 60 | 140 | 18 | 53   | 250 | 4-Φ24   | 500 | 450 | 550 | 18.5 | 5 | 484 | 485 | 358 | 445 | 610  | 910  |
| 250M | 4, 6, 8     | 406 | 349 | 168 | 65 | 140 | 18 | 58   | 250 | 4-Φ24   | 500 | 450 | 550 | 18.5 | 5 | 484 | 485 | 358 | 445 | 610  | 910  |
| 280S | 2           | 457 | 368 | 190 | 65 | 140 | 18 | 58   | 280 | 4-Φ24   | 500 | 450 | 550 | 18.5 | 5 | 542 | 547 | 387 | 485 | 670  | 985  |
| 280S | 4, 6, 8     | 457 | 368 | 190 | 75 | 140 | 20 | 67.5 | 280 | 4-Φ24   | 500 | 450 | 550 | 18.5 | 5 | 542 | 547 | 387 | 485 | 670  | 985  |
| 280M | 2           | 457 | 419 | 190 | 65 | 140 | 18 | 58   | 280 | 4-Φ24   | 500 | 450 | 550 | 18.5 | 5 | 542 | 547 | 387 | 536 | 670  | 1035 |
| 280M | 4, 6, 8     | 457 | 419 | 190 | 75 | 140 | 20 | 67.5 | 280 | 4-Φ24   | 500 | 450 | 550 | 18.5 | 5 | 542 | 547 | 387 | 536 | 670  | 1035 |
| 315S | 2           | 508 | 406 | 216 | 65 | 140 | 18 | 58   | 315 | 4-Φ28   | 600 | 550 | 660 | 24   | 6 | 628 | 620 | 527 | 570 | 845  | 1180 |
| 315S | 4, 6, 8, 10 | 508 | 406 | 216 | 80 | 170 | 22 | 71   | 315 | 4-Φ28   | 600 | 550 | 660 | 24   | 6 | 628 | 620 | 527 | 570 | 845  | 1210 |
| 315M | 2           | 508 | 457 | 216 | 65 | 140 | 18 | 58   | 315 | 4-Φ28   | 600 | 550 | 660 | 24   | 6 | 628 | 620 | 527 | 680 | 845  | 1290 |
| 315M | 4, 6, 8, 10 | 508 | 457 | 216 | 80 | 170 | 22 | 71   | 315 | 4-Φ28   | 600 | 550 | 660 | 24   | 6 | 628 | 620 | 527 | 680 | 845  | 1320 |
| 315L | 2           | 508 | 508 | 216 | 65 | 140 | 18 | 58   | 315 | 4-Φ28   | 600 | 550 | 660 | 24   | 6 | 628 | 620 | 527 | 680 | 845  | 1290 |
| 315L | 4, 6, 8, 10 | 508 | 508 | 216 | 80 | 170 | 22 | 71   | 315 | 4-Φ28   | 600 | 550 | 660 | 24   | 6 | 628 | 620 | 527 | 680 | 845  | 1320 |
| 355M | 2           | 610 | 560 | 254 | 75 | 140 | 20 | 67.5 | 355 | 6-Φ28   | 740 | 680 | 800 | 24   | 6 | 726 | 698 | 642 | 750 | 1000 | 1485 |
| 355M | 4, 6, 8, 10 | 610 | 560 | 254 | 95 | 170 | 25 | 86   | 355 | 6-Φ28   | 740 | 680 | 800 | 24   | 6 | 726 | 698 | 642 | 750 | 1000 | 1515 |
| 355L | 2           | 610 | 630 | 254 | 75 | 140 | 20 | 67.5 | 355 | 6-Φ28   | 740 | 680 | 800 | 24   | 6 | 726 | 698 | 642 | 750 | 1000 | 1490 |
| 355L | 4, 6, 8, 10 | 610 | 630 | 254 | 95 | 170 | 25 | 86   | 355 | 6-Φ28   | 740 | 680 | 800 | 24   | 6 | 726 | 698 | 642 | 750 | 1000 | 1515 |





SGT2-IE2 三相异步电动机外形及安装尺寸 SGT2-IE2 Three-phase asynchronous motor overall and mounting dimension

| 机座号<br>Frame size | 极数<br>Pole | 安装尺寸<br>(Mounting dimension) |     |     |    |     |    |      |     |         |
|-------------------|------------|------------------------------|-----|-----|----|-----|----|------|-----|---------|
|                   |            | A                            | B   | C   | D  | E   | F  | G    | H   | K       |
| 63                | 2, 4, 6    | 100                          | 80  | 40  | 11 | 23  | 4  | 8.5  | 63  | 4-Φ7    |
| 71                | 2, 4, 6    | 112                          | 90  | 45  | 14 | 30  | 5  | 11   | 71  | 4-Φ7    |
| 80                | 2, 4, 6, 8 | 125                          | 100 | 50  | 19 | 40  | 6  | 15.5 | 80  | 4-Φ10   |
| 90S               | 2, 4, 6, 8 | 140                          | 100 | 56  | 24 | 50  | 8  | 20   | 90  | 4-Φ10   |
| 90L               | 2, 4, 6, 8 | 140                          | 125 | 56  | 24 | 50  | 8  | 20   | 90  | 4-Φ10   |
| 100L              | 2, 4, 6, 8 | 160                          | 140 | 63  | 28 | 60  | 8  | 24   | 100 | 4-Φ12   |
| 112M              | 2, 4, 6, 8 | 190                          | 140 | 70  | 28 | 60  | 8  | 24   | 112 | 4-Φ12   |
| 132S              | 2, 4, 6, 8 | 216                          | 140 | 89  | 38 | 80  | 10 | 33   | 132 | 4-Φ12   |
| 132M              | 4, 6, 8    | 216                          | 178 | 89  | 38 | 80  | 10 | 33   | 132 | 4-Φ12   |
| 160M              | 2, 4, 6, 8 | 254                          | 210 | 108 | 42 | 110 | 12 | 37   | 160 | 4-Φ14.5 |

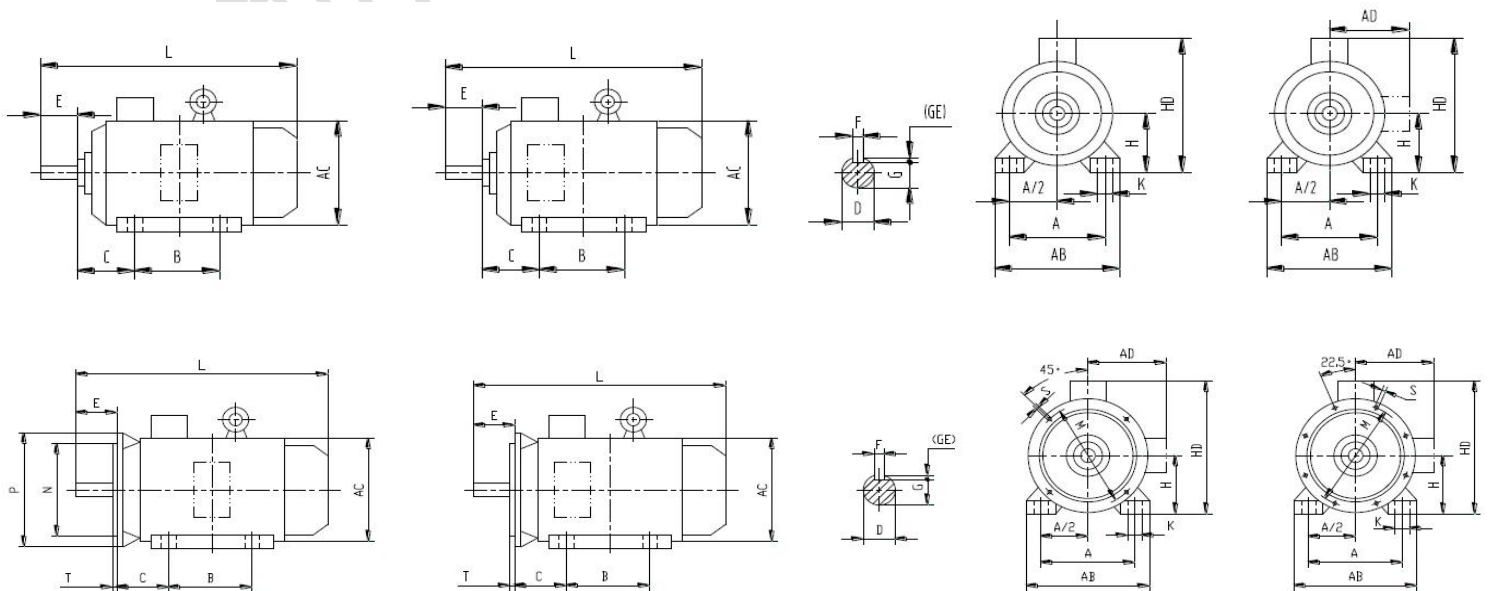
|      |             |     |     |     |    |     |    |      |     |         |
|------|-------------|-----|-----|-----|----|-----|----|------|-----|---------|
| 160L | 2, 4, 6, 8  | 254 | 254 | 108 | 42 | 110 | 12 | 37   | 160 | 4-Φ14.5 |
| 180M | 2, 4, 8     | 279 | 241 | 121 | 48 | 110 | 14 | 42.5 | 180 | 4-Φ14.5 |
| 180L | 4, 6, 8     | 279 | 279 | 121 | 48 | 110 | 14 | 42.5 | 180 | 4-Φ14.5 |
| 200L | 2, 4, 6, 8  | 318 | 305 | 133 | 55 | 110 | 16 | 49   | 200 | 4-Φ16.5 |
| 225S | 4, 8        | 356 | 286 | 149 | 60 | 140 | 18 | 53   | 225 | 4-Φ18.5 |
| 225M | 2           | 356 | 311 | 149 | 55 | 110 | 16 | 49   | 225 | 4-Φ18.5 |
| 225M | 4, 6, 8     | 356 | 311 | 149 | 60 | 140 | 18 | 53   | 225 | 4-Φ18.5 |
| 250M | 2           | 406 | 349 | 168 | 60 | 140 | 18 | 53   | 250 | 4-Φ24   |
| 250M | 4, 6, 8     | 406 | 349 | 168 | 65 | 140 | 18 | 58   | 250 | 4-Φ24   |
| 280S | 2           | 457 | 368 | 190 | 65 | 140 | 18 | 58   | 280 | 4-Φ24   |
| 280S | 4, 6, 8     | 457 | 368 | 190 | 75 | 140 | 20 | 67.5 | 280 | 4-Φ24   |
| 280M | 2           | 457 | 419 | 190 | 65 | 140 | 18 | 58   | 280 | 4-Φ24   |
| 280M | 4, 6, 8     | 457 | 419 | 190 | 75 | 140 | 20 | 67.5 | 280 | 4-Φ24   |
| 315S | 2           | 508 | 406 | 216 | 65 | 140 | 18 | 58   | 315 | 4-Φ28   |
| 315S | 4, 6, 8, 10 | 508 | 406 | 216 | 80 | 170 | 22 | 71   | 315 | 4-Φ28   |
| 315M | 2           | 508 | 457 | 216 | 65 | 140 | 18 | 58   | 315 | 4-Φ28   |
| 315M | 4, 6, 8, 10 | 508 | 457 | 216 | 80 | 170 | 22 | 71   | 315 | 4-Φ28   |
| 315L | 2           | 508 | 508 | 216 | 65 | 140 | 18 | 58   | 315 | 4-Φ28   |
| 315L | 4, 6, 8, 10 | 508 | 508 | 216 | 80 | 170 | 22 | 71   | 315 | 4-Φ28   |
| 355M | 2           | 610 | 560 | 254 | 75 | 140 | 20 | 67.5 | 355 | 6-Φ28   |
| 355M | 4, 6, 8, 10 | 610 | 560 | 254 | 95 | 170 | 25 | 86   | 355 | 6-Φ28   |
| 355L | 2           | 610 | 630 | 254 | 75 | 140 | 20 | 67.5 | 355 | 6-Φ28   |

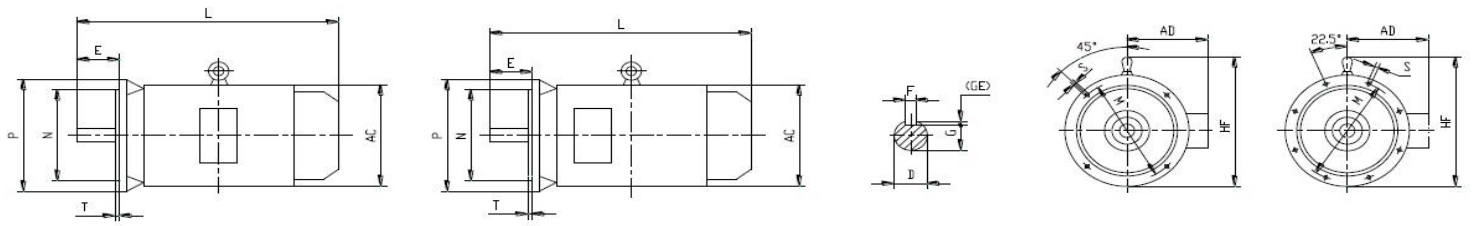
|      |             |     |     |     |    |     |    |    |     |       |
|------|-------------|-----|-----|-----|----|-----|----|----|-----|-------|
| 355L | 4, 6, 8, 10 | 610 | 630 | 254 | 95 | 170 | 25 | 86 | 355 | 6-Φ28 |
|------|-------------|-----|-----|-----|----|-----|----|----|-----|-------|

| 机座号<br>Frame size | B5 安装方式<br>Mounting dimension for B5(V1\3) |     |     |      |     | 外形尺寸<br>Overall dimension |       |     |     |     |     |
|-------------------|--|-----|-----|------|-----|---------------------------|-------|-----|-----|-----|-----|
|                   | M  | N   | P   | S    | T   | AB                        | AC    | AD  | BB  | HD  | L   |
| 63                | 115  | 95  | 140 | 10   | 3   | 130                       | 120   | 113 | 110 | 175 | 220 |
| 71                | 130  | 110 | 160 | 10   | 3.5 | 144                       | 136   | 119 | 120 | 190 | 245 |
| 80                | 165  | 130 | 200 | 12   | 3.5 | 160                       | 155.4 | 131 | 130 | 210 | 285 |
| 90S               | 165  | 130 | 200 | 12   | 3.5 | 176                       | 175.4 | 148 | 130 | 240 | 310 |
| 90L               | 165  | 130 | 200 | 12   | 3.5 | 176                       | 175.4 | 148 | 155 | 240 | 335 |
| 100L              | 215  | 180 | 250 | 14.5 | 4   | 200                       | 195.4 | 162 | 176 | 260 | 380 |
| 112M              | 215  | 180 | 250 | 14.5 | 4   | 226                       | 219.4 | 183 | 180 | 295 | 395 |
| 132S              | 265  | 230 | 300 | 14.5 | 4   | 262                       | 258.4 | 203 | 200 | 335 | 470 |
| 132M              | 265  | 230 | 300 | 14.5 | 4   | 262                       | 258.4 | 203 | 238 | 335 | 510 |
| 160M              | 300  | 250 | 350 | 18.5 | 5   | 314                       | 314   | 251 | 260 | 412 | 610 |
| 160L              | 300  | 250 | 350 | 18.5 | 5   | 314                       | 314   | 251 | 304 | 412 | 655 |
| 180M              | 300  | 250 | 350 | 18.5 | 5   | 349                       | 355   | 267 | 311 | 448 | 690 |
| 180L              | 300  | 250 | 350 | 18.5 | 5   | 349                       | 355   | 267 | 349 | 448 | 725 |
| 200L              | 350  | 300 | 400 | 18.5 | 5   | 388                       | 397   | 299 | 369 | 500 | 770 |
| 225S              | 400  | 350 | 450 | 18.5 | 5   | 431                       | 446   | 322 | 368 | 550 | 825 |
| 225M              | 400  | 350 | 450 | 18.5 | 5   | 431                       | 446   | 322 | 393 | 550 | 820 |
| 225M              | 400  | 350 | 450 | 18.5 | 5   | 431                       | 446   | 322 | 393 | 550 | 850 |



|      |     |     |     |      |   |     |     |     |     |      |      |
|------|-----|-----|-----|------|---|-----|-----|-----|-----|------|------|
| 250M | 500 | 450 | 550 | 18.5 | 5 | 484 | 485 | 358 | 445 | 610  | 910  |
| 250M | 500 | 450 | 550 | 18.5 | 5 | 484 | 485 | 358 | 445 | 610  | 910  |
| 280S | 500 | 450 | 550 | 18.5 | 5 | 542 | 547 | 387 | 485 | 670  | 985  |
| 280S | 500 | 450 | 550 | 18.5 | 5 | 542 | 547 | 387 | 485 | 670  | 985  |
| 280M | 500 | 450 | 550 | 18.5 | 5 | 542 | 547 | 387 | 536 | 670  | 1035 |
| 280M | 500 | 450 | 550 | 18.5 | 5 | 542 | 547 | 387 | 536 | 670  | 1035 |
| 315S | 600 | 550 | 660 | 24   | 6 | 628 | 620 | 527 | 570 | 845  | 1180 |
| 315S | 600 | 550 | 660 | 24   | 6 | 628 | 620 | 527 | 570 | 845  | 1210 |
| 315M | 600 | 550 | 660 | 24   | 6 | 628 | 620 | 527 | 680 | 845  | 1290 |
| 315M | 600 | 550 | 660 | 24   | 6 | 628 | 620 | 527 | 680 | 845  | 1320 |
| 315L | 600 | 550 | 660 | 24   | 6 | 628 | 620 | 527 | 680 | 845  | 1290 |
| 315L | 600 | 550 | 660 | 24   | 6 | 628 | 620 | 527 | 680 | 845  | 1320 |
| 355M | 740 | 680 | 800 | 24   | 6 | 726 | 698 | 642 | 750 | 1000 | 1485 |
| 355M | 740 | 680 | 800 | 24   | 6 | 726 | 698 | 642 | 750 | 1000 | 1515 |
| 355L | 740 | 680 | 800 | 24   | 6 | 726 | 698 | 642 | 750 | 1000 | 1490 |
| 355L | 740 | 680 | 800 | 24   | 6 | 726 | 698 | 642 | 750 | 1000 | 1515 |





SGT3-IE3 三相异步电动机外形及安装尺寸 SGT3-IE3 Three-phase asynchronous motor overall and mounting dimension

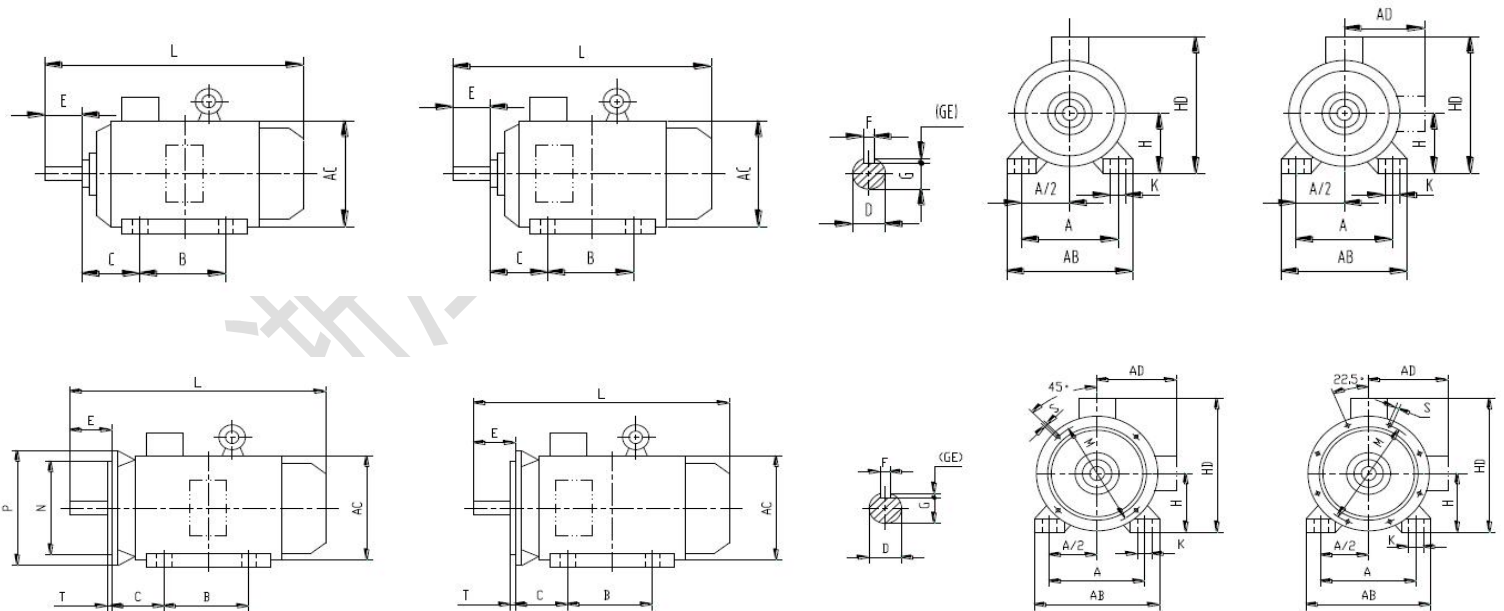
| 机座号<br>Frame size | 极数<br>Pole | 安装尺寸<br>(Mounting dimension) |     |     |    |     |    |      |     |         |
|-------------------|------------|------------------------------|-----|-----|----|-----|----|------|-----|---------|
|                   |            | A                            | B   | C   | D  | E   | F  | G    | H   | K       |
| 63                | 2, 4, 6    | 100                          | 80  | 40  | 11 | 23  | 4  | 8.5  | 63  | 4-Φ7    |
| 71                | 2, 4, 6    | 112                          | 90  | 45  | 14 | 30  | 5  | 11   | 71  | 4-Φ7    |
| 80                | 2, 4, 6, 8 | 125                          | 100 | 50  | 19 | 40  | 6  | 15.5 | 80  | 4-Φ10   |
| 90S               | 2, 4, 6, 8 | 140                          | 100 | 56  | 24 | 50  | 8  | 20   | 90  | 4-Φ10   |
| 90L               | 2, 4, 6, 8 | 140                          | 125 | 56  | 24 | 50  | 8  | 20   | 90  | 4-Φ10   |
| 100L              | 2, 4, 6, 8 | 160                          | 140 | 63  | 28 | 60  | 8  | 24   | 100 | 4-Φ12   |
| 112M              | 2, 4, 6, 8 | 190                          | 140 | 70  | 28 | 60  | 8  | 24   | 112 | 4-Φ12   |
| 132S              | 2, 4, 6, 8 | 216                          | 140 | 89  | 38 | 80  | 10 | 33   | 132 | 4-Φ12   |
| 132M              | 4, 6, 8    | 216                          | 178 | 89  | 38 | 80  | 10 | 33   | 132 | 4-Φ12   |
| 160M              | 2, 4, 6, 8 | 254                          | 210 | 108 | 42 | 110 | 12 | 37   | 160 | 4-Φ14.5 |
| 160L              | 2, 4, 6, 8 | 254                          | 254 | 108 | 42 | 110 | 12 | 37   | 160 | 4-Φ14.5 |
| 180M              | 2, 4, 8    | 279                          | 241 | 121 | 48 | 110 | 14 | 42.5 | 180 | 4-Φ14.5 |
| 180L              | 4, 6, 8    | 279                          | 279 | 121 | 48 | 110 | 14 | 42.5 | 180 | 4-Φ14.5 |
| 200L              | 2, 4, 6, 8 | 318                          | 305 | 133 | 55 | 110 | 16 | 49   | 200 | 4-Φ16.5 |

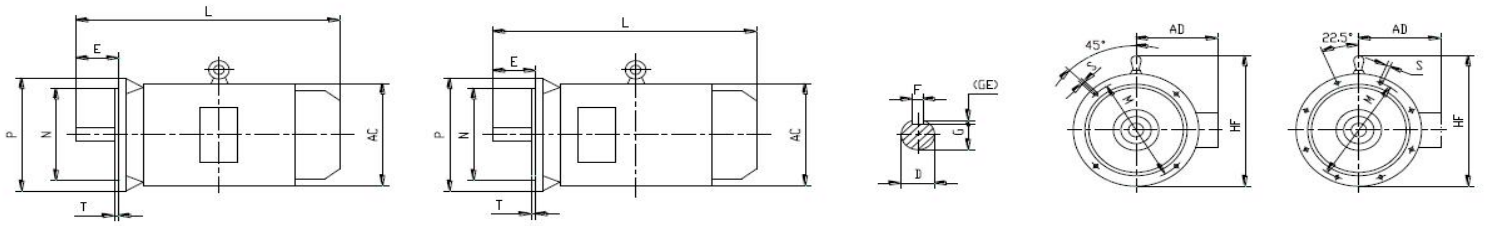
|      |                |     |     |     |    |     |    |      |     |         |
|------|----------------|-----|-----|-----|----|-----|----|------|-----|---------|
| 225S | 4 , 8          | 356 | 286 | 149 | 60 | 140 | 18 | 53   | 225 | 4-Φ18.5 |
| 225M | 2              | 356 | 311 | 149 | 55 | 110 | 16 | 49   | 225 | 4-Φ18.5 |
| 225M | 4 , 6 , 8      | 356 | 311 | 149 | 60 | 140 | 18 | 53   | 225 | 4-Φ18.5 |
| 250M | 2              | 406 | 349 | 168 | 60 | 140 | 18 | 53   | 250 | 4-Φ24   |
| 250M | 4 , 6 , 8      | 406 | 349 | 168 | 65 | 140 | 18 | 58   | 250 | 4-Φ24   |
| 280S | 2              | 457 | 368 | 190 | 65 | 140 | 18 | 58   | 280 | 4-Φ24   |
| 280S | 4 , 6 , 8      | 457 | 368 | 190 | 75 | 140 | 20 | 67.5 | 280 | 4-Φ24   |
| 280M | 2              | 457 | 419 | 190 | 65 | 140 | 18 | 58   | 280 | 4-Φ24   |
| 280M | 4 , 6 , 8      | 457 | 419 | 190 | 75 | 140 | 20 | 67.5 | 280 | 4-Φ24   |
| 315S | 2              | 508 | 406 | 216 | 65 | 140 | 18 | 58   | 315 | 4-Φ28   |
| 315S | 4 , 6 , 8 , 10 | 508 | 406 | 216 | 80 | 170 | 22 | 71   | 315 | 4-Φ28   |
| 315M | 2              | 508 | 457 | 216 | 65 | 140 | 18 | 58   | 315 | 4-Φ28   |
| 315M | 4 , 6 , 8 , 10 | 508 | 457 | 216 | 80 | 170 | 22 | 71   | 315 | 4-Φ28   |
| 315L | 2              | 508 | 508 | 216 | 65 | 140 | 18 | 58   | 315 | 4-Φ28   |
| 315L | 4 , 6 , 8 , 10 | 508 | 508 | 216 | 80 | 170 | 22 | 71   | 315 | 4-Φ28   |
| 355M | 2              | 610 | 560 | 254 | 75 | 140 | 20 | 67.5 | 355 | 6-Φ28   |
| 355M | 4 , 6 , 8 , 10 | 610 | 560 | 254 | 95 | 170 | 25 | 86   | 355 | 6-Φ28   |
| 355L | 2              | 610 | 630 | 254 | 75 | 140 | 20 | 67.5 | 355 | 6-Φ28   |
| 355L | 4 , 6 , 8 , 10 | 610 | 630 | 254 | 95 | 170 | 25 | 86   | 355 | 6-Φ28   |

|            |                                  |                   |
|------------|----------------------------------|-------------------|
| 机座号        | B5 安装方式                          | 外形尺寸              |
| Frame size | Mounting dimension for B5(V1\V3) | Overall dimension |

|      | M   | N   | P   | S    | T   | AB  | AC    | AD  | BB  | HD  | L   |
|------|-----|-----|-----|------|-----|-----|-------|-----|-----|-----|-----|
| 63   | 115 | 95  | 140 | 10   | 3   | 130 | 120   | 113 | 110 | 175 | 220 |
| 71   | 130 | 110 | 160 | 10   | 3.5 | 144 | 136   | 119 | 120 | 190 | 245 |
| 80   | 165 | 130 | 200 | 12   | 3.5 | 160 | 155.4 | 131 | 130 | 210 | 285 |
| 90S  | 165 | 130 | 200 | 12   | 3.5 | 176 | 175.4 | 148 | 130 | 240 | 310 |
| 90L  | 165 | 130 | 200 | 12   | 3.5 | 176 | 175.4 | 148 | 155 | 240 | 335 |
| 100L | 215 | 180 | 250 | 14.5 | 4   | 200 | 195.4 | 162 | 176 | 260 | 380 |
| 112M | 215 | 180 | 250 | 14.5 | 4   | 226 | 219.4 | 183 | 180 | 295 | 395 |
| 132S | 265 | 230 | 300 | 14.5 | 4   | 262 | 258.4 | 203 | 200 | 335 | 470 |
| 132M | 265 | 230 | 300 | 14.5 | 4   | 262 | 258.4 | 203 | 238 | 335 | 510 |
| 160M | 300 | 250 | 350 | 18.5 | 5   | 314 | 314   | 251 | 260 | 412 | 610 |
| 160L | 300 | 250 | 350 | 18.5 | 5   | 314 | 314   | 251 | 304 | 412 | 655 |
| 180M | 300 | 250 | 350 | 18.5 | 5   | 349 | 355   | 267 | 311 | 448 | 690 |
| 180L | 300 | 250 | 350 | 18.5 | 5   | 349 | 355   | 267 | 349 | 448 | 725 |
| 200L | 350 | 300 | 400 | 18.5 | 5   | 388 | 397   | 299 | 369 | 500 | 770 |
| 225S | 400 | 350 | 450 | 18.5 | 5   | 431 | 446   | 322 | 368 | 550 | 825 |
| 225M | 400 | 350 | 450 | 18.5 | 5   | 431 | 446   | 322 | 393 | 550 | 820 |
| 225M | 400 | 350 | 450 | 18.5 | 5   | 431 | 446   | 322 | 393 | 550 | 850 |
| 250M | 500 | 450 | 550 | 18.5 | 5   | 484 | 485   | 358 | 445 | 610 | 910 |
| 250M | 500 | 450 | 550 | 18.5 | 5   | 484 | 485   | 358 | 445 | 610 | 910 |
| 280S | 500 | 450 | 550 | 18.5 | 5   | 542 | 547   | 387 | 485 | 670 | 985 |
| 280S | 500 | 450 | 550 | 18.5 | 5   | 542 | 547   | 387 | 485 | 670 | 985 |

|      |     |     |     |      |   |     |     |     |     |      |      |
|------|-----|-----|-----|------|---|-----|-----|-----|-----|------|------|
| 280M | 500 | 450 | 550 | 18.5 | 5 | 542 | 547 | 387 | 536 | 670  | 1035 |
| 280M | 500 | 450 | 550 | 18.5 | 5 | 542 | 547 | 387 | 536 | 670  | 1035 |
| 315S | 600 | 550 | 660 | 24   | 6 | 628 | 620 | 527 | 570 | 845  | 1180 |
| 315S | 600 | 550 | 660 | 24   | 6 | 628 | 620 | 527 | 570 | 845  | 1210 |
| 315M | 600 | 550 | 660 | 24   | 6 | 628 | 620 | 527 | 680 | 845  | 1290 |
| 315M | 600 | 550 | 660 | 24   | 6 | 628 | 620 | 527 | 680 | 845  | 1320 |
| 315L | 600 | 550 | 660 | 24   | 6 | 628 | 620 | 527 | 680 | 845  | 1290 |
| 315L | 600 | 550 | 660 | 24   | 6 | 628 | 620 | 527 | 680 | 845  | 1320 |
| 355M | 740 | 680 | 800 | 24   | 6 | 726 | 698 | 642 | 750 | 1000 | 1485 |
| 355M | 740 | 680 | 800 | 24   | 6 | 726 | 698 | 642 | 750 | 1000 | 1515 |
| 355L | 740 | 680 | 800 | 24   | 6 | 726 | 698 | 642 | 750 | 1000 | 1490 |
| 355L | 740 | 680 | 800 | 24   | 6 | 726 | 698 | 642 | 750 | 1000 | 1515 |





SGT4-IE4 三相异步电动机外形及安装尺寸 SGT3-IE3 Three-phase asynchronous motor overall and mounting dimension

| 机座号<br>Frame size | 极数<br>Pole | 安装尺寸<br>(Mounting dimension) |     |     |    |     |    |      |     |         |
|-------------------|------------|------------------------------|-----|-----|----|-----|----|------|-----|---------|
|                   |            | A                            | B   | C   | D  | E   | F  | G    | H   | K       |
| 80                | 2, 4, 6, 8 | 125                          | 100 | 50  | 19 | 40  | 6  | 15.5 | 80  | 4-Φ10   |
| 90S               | 2, 4, 6, 8 | 140                          | 100 | 56  | 24 | 50  | 8  | 20   | 90  | 4-Φ10   |
| 90L               | 2, 4, 6, 8 | 140                          | 125 | 56  | 24 | 50  | 8  | 20   | 90  | 4-Φ10   |
| 100L              | 2, 4, 6, 8 | 160                          | 140 | 63  | 28 | 60  | 8  | 24   | 100 | 4-Φ12   |
| 112M              | 2, 4, 6, 8 | 190                          | 140 | 70  | 28 | 60  | 8  | 24   | 112 | 4-Φ12   |
| 132S              | 2, 4, 6, 8 | 216                          | 140 | 89  | 38 | 80  | 10 | 33   | 132 | 4-Φ12   |
| 132M              | 4, 6, 8    | 216                          | 178 | 89  | 38 | 80  | 10 | 33   | 132 | 4-Φ12   |
| 160M              | 2, 4, 6, 8 | 254                          | 210 | 108 | 42 | 110 | 12 | 37   | 160 | 4-Φ14.5 |
| 160L              | 2, 4, 6, 8 | 254                          | 254 | 108 | 42 | 110 | 12 | 37   | 160 | 4-Φ14.5 |
| 180M              | 2, 4, 8    | 279                          | 241 | 121 | 48 | 110 | 14 | 42.5 | 180 | 4-Φ14.5 |
| 180L              | 4, 6, 8    | 279                          | 279 | 121 | 48 | 110 | 14 | 42.5 | 180 | 4-Φ14.5 |
| 200L              | 2, 4, 6, 8 | 318                          | 305 | 133 | 55 | 110 | 16 | 49   | 200 | 4-Φ16.5 |
| 225S              | 4, 8       | 356                          | 286 | 149 | 60 | 140 | 18 | 53   | 225 | 4-Φ18.5 |

|              |             |     |     |     |    |     |    |      |     |         |
|--------------|-------------|-----|-----|-----|----|-----|----|------|-----|---------|
| 225M         | 2           | 356 | 311 | 149 | 55 | 110 | 16 | 49   | 225 | 4-Φ18.5 |
| 225M         | 4, 6, 8     | 356 | 311 | 149 | 60 | 140 | 18 | 53   | 225 | 4-Φ18.5 |
| 250M+A19:C20 | 2           | 406 | 349 | 168 | 60 | 140 | 18 | 53   | 250 | 4-Φ24   |
| 250M         | 4, 6, 8     | 406 | 349 | 168 | 65 | 140 | 18 | 58   | 250 | 4-Φ24   |
| 280S         | 2           | 457 | 368 | 190 | 65 | 140 | 18 | 58   | 280 | 4-Φ24   |
| 280S         | 4, 6, 8     | 457 | 368 | 190 | 75 | 140 | 20 | 67.5 | 280 | 4-Φ24   |
| 280M         | 2           | 457 | 419 | 190 | 65 | 140 | 18 | 58   | 280 | 4-Φ24   |
| 280M         | 4, 6, 8     | 457 | 419 | 190 | 75 | 140 | 20 | 67.5 | 280 | 4-Φ24   |
| 315S         | 2           | 508 | 406 | 216 | 65 | 140 | 18 | 58   | 315 | 4-Φ28   |
| 315S         | 4, 6, 8, 10 | 508 | 406 | 216 | 80 | 170 | 22 | 71   | 315 | 4-Φ28   |
| 315M         | 2           | 508 | 457 | 216 | 65 | 140 | 18 | 58   | 315 | 4-Φ28   |
| 315M         | 4, 6, 8, 10 | 508 | 457 | 216 | 80 | 170 | 22 | 71   | 315 | 4-Φ28   |
| 315L         | 2           | 508 | 508 | 216 | 65 | 140 | 18 | 58   | 315 | 4-Φ28   |
| 315L         | 4, 6, 8, 10 | 508 | 508 | 216 | 80 | 170 | 22 | 71   | 315 | 4-Φ28   |
| 355M         | 2           | 610 | 560 | 254 | 75 | 140 | 20 | 67.5 | 355 | 6-Φ28   |
| 355M         | 4, 6, 8, 10 | 610 | 560 | 254 | 95 | 170 | 25 | 86   | 355 | 6-Φ28   |
| 355L         | 2           | 610 | 630 | 254 | 75 | 140 | 20 | 67.5 | 355 | 6-Φ28   |
| 355L         | 4, 6, 8, 10 | 610 | 630 | 254 | 95 | 170 | 25 | 86   | 355 | 6-Φ28   |

| 机座号<br>Frame size | B5 安装方式                         |   |   |   |   | 外形尺寸              |    |    |    |    |   |
|-------------------|---------------------------------|---|---|---|---|-------------------|----|----|----|----|---|
|                   | Mounting dimension for B5(V1\3) |   |   |   |   | Overall dimension |    |    |    |    |   |
|                   | M                               | N | P | S | T | AB                | AC | AD | BB | HD | L |

|              |     |     |     |      |     |     |     |     |     |     |      |
|--------------|-----|-----|-----|------|-----|-----|-----|-----|-----|-----|------|
| 80           | 165 | 130 | 200 | 12   | 3.5 | 165 | 175 | 145 | 150 | 220 | 305  |
| 90S          | 165 | 130 | 200 | 12   | 3.5 | 180 | 205 | 170 | 180 | 265 | 360  |
| 90L          | 165 | 130 | 200 | 12   | 3.5 | 180 | 205 | 170 | 210 | 265 | 390  |
| 100L         | 215 | 180 | 250 | 14.5 | 4   | 205 | 215 | 180 | 215 | 270 | 435  |
| 112M         | 215 | 180 | 250 | 14.5 | 4   | 230 | 255 | 200 | 188 | 310 | 440  |
| 132S         | 265 | 230 | 300 | 14.5 | 4   | 270 | 310 | 230 | 226 | 365 | 510  |
| 132M         | 265 | 230 | 300 | 14.5 | 4   | 270 | 310 | 230 | 256 | 365 | 550  |
| 160M         | 300 | 250 | 350 | 18.5 | 5   | 320 | 340 | 260 | 315 | 425 | 730  |
| 160L         | 300 | 250 | 350 | 18.5 | 5   | 320 | 340 | 260 | 355 | 425 | 760  |
| 180M         | 300 | 250 | 350 | 18.5 | 5   | 355 | 390 | 285 | 360 | 460 | 770  |
| 180L         | 300 | 250 | 350 | 18.5 | 5   | 355 | 390 | 285 | 360 | 460 | 800  |
| 200L         | 350 | 300 | 400 | 18.5 | 5   | 395 | 445 | 320 | 372 | 520 | 860  |
| 225S         | 400 | 350 | 450 | 18.5 | 5   | 435 | 495 | 350 | 431 | 575 | 830  |
| 225M         | 400 | 350 | 450 | 18.5 | 5   | 435 | 495 | 350 | 466 | 575 | 830  |
| 225M         | 400 | 350 | 450 | 18.5 | 5   | 435 | 495 | 350 | 466 | 575 | 860  |
| 250M+A19:C20 | 500 | 450 | 550 | 18.5 | 5   | 490 | 550 | 390 | 515 | 635 | 990  |
| 250M         | 500 | 450 | 550 | 18.5 | 5   | 490 | 550 | 390 | 515 | 635 | 990  |
| 280S         | 500 | 450 | 550 | 18.5 | 5   | 550 | 630 | 435 | 510 | 705 | 990  |
| 280S         | 500 | 450 | 550 | 18.5 | 5   | 550 | 630 | 435 | 510 | 705 | 990  |
| 280M         | 500 | 450 | 550 | 18.5 | 5   | 550 | 630 | 435 | 550 | 705 | 1040 |
| 280M         | 500 | 450 | 550 | 18.5 | 5   | 550 | 630 | 435 | 550 | 705 | 1040 |
| 315S         | 600 | 550 | 660 | 24   | 6   | 635 | 645 | 530 | 570 | 845 | 1180 |



|      |     |     |     |    |   |     |     |     |     |      |      |
|------|-----|-----|-----|----|---|-----|-----|-----|-----|------|------|
| 315S | 600 | 550 | 660 | 24 | 6 | 635 | 645 | 530 | 570 | 845  | 1290 |
| 315M | 600 | 550 | 660 | 24 | 6 | 635 | 645 | 530 | 680 | 845  | 1210 |
| 315M | 600 | 550 | 660 | 24 | 6 | 635 | 645 | 530 | 680 | 845  | 1320 |
| 315L | 600 | 550 | 660 | 24 | 6 | 635 | 645 | 530 | 680 | 845  | 1210 |
| 315L | 600 | 550 | 660 | 24 | 6 | 635 | 645 | 530 | 680 | 845  | 1320 |
| 355M | 740 | 680 | 800 | 24 | 6 | 730 | 710 | 655 | 750 | 1010 | 1500 |
| 355M | 740 | 680 | 800 | 24 | 6 | 730 | 710 | 655 | 750 | 1010 | 1530 |
| 355L | 740 | 680 | 800 | 24 | 6 | 730 | 710 | 655 | 750 | 1010 | 1500 |
| 355L | 740 | 680 | 800 | 24 | 6 | 730 | 710 | 655 | 750 | 1010 | 1530 |

